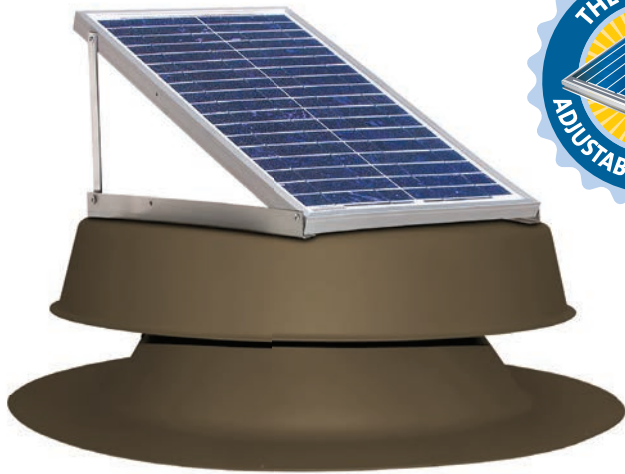


KENNEDY SKYLIGHTS SOLAR ATTIC FANS

The Environmentally Sensible Solution that can SAVE you Money!

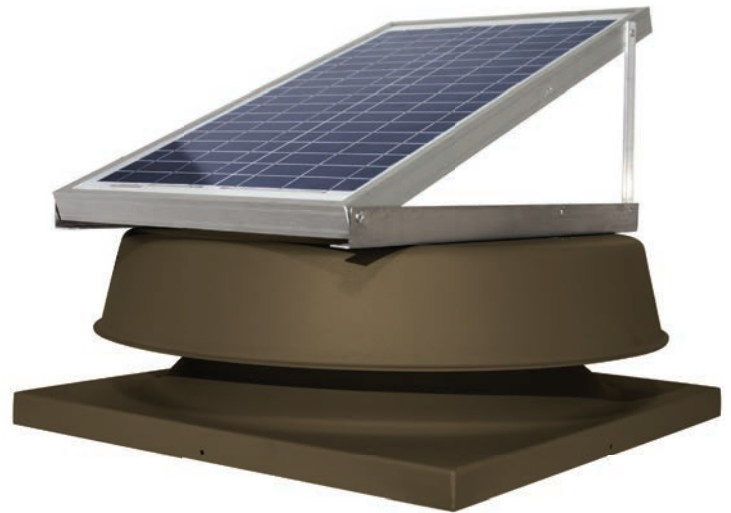


Roof-mounted unit
(12, 24, 36, or 60)

Roof venting is an important aspect in maintaining a healthy energy efficient home. Proper venting cools your roof extending the material life and reduces the load on your air conditioning system. Attic venting also increases fresh air circulation. Powered completely by free solar energy, this sleek and efficient vent is both compact and quiet. Fully operational right from the box, it installs easily, with no electrical wiring. And let's not forget powerful! A 12 watt unit can fully vent up to 1,260 sq. ft. (up to 893 cfms), a 24 watt unit up to 2,100 sq. ft. (up to 1,339 cfms) and a 36 watt unit up to 2,625 sq. ft. (up to 1,628 cfms). Our newest fan, with a 60 watt remote solar panel, has an unmatched venting capacity of up to 3,255 sq. ft. (up to 1,995 cfms)!



Curb-mounted commercial unit
(12, 24, 36, or 60)



Gable-mounted unit
(12, 24, 36, or 60)



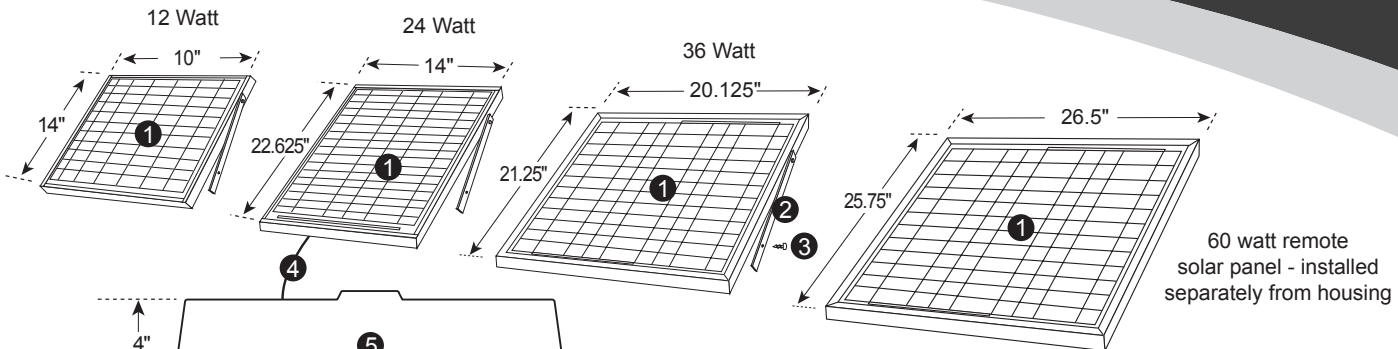
BEST INDUSTRY WARRANTY:
25-Years on the Housing, Solar Panel,
and Motor



Kennedy
Skylights™

www.kennedyskylights.com

Solar Attic Fan Technical Specifications



NOTE: Exploded view of Solar Attic Fan is for illustrative purposes only. Unit comes fully assembled.

1. Custom Solar Panel (12, 24, 36, or 60 watt available)*
2. (2) Adjustable Solar Panel Bracket
3. (2) #8 x .75" Self-Tapping Screws
4. 18 Gauge Tinned Copper Wire Lead
5. 1100 Series, Commercial Pure Grade Aluminum Hood
6. Custom DC Motor
7. Motor Bracket Assembly
8. Precision Pitch 5 Blade Fan
9. 3.25" x 48" Stainless Steel Wire Mesh
10. (4) Rugged 14 Gauge Hood Support Bracket
11. 1100 Series, Commercial Pure Grade Aluminum Flashing
12. (6) #6 x 1.5" Stainless Steel Phillips Head Screws

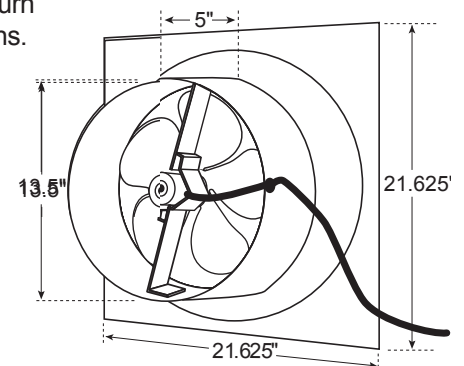
*solar panel dimensions may vary slightly

OPTIONAL ACCESSORIES:

Thermal Snap Switch
available to automatically turn off unit during colder months.

SOLAR PANEL VENTING CAPACITY

- 12 watts – up to 1,260 sf
up to 893 CFMs
- 24 watts – up to 2,100 sf
up to 1,339 CFMs
- 36 watts – up to 2,625 sf
up to 1,628 CFMs
- 60 watts – up to 3,255 sf
up to 1,995 CFMs



Gable Mounted Fan

