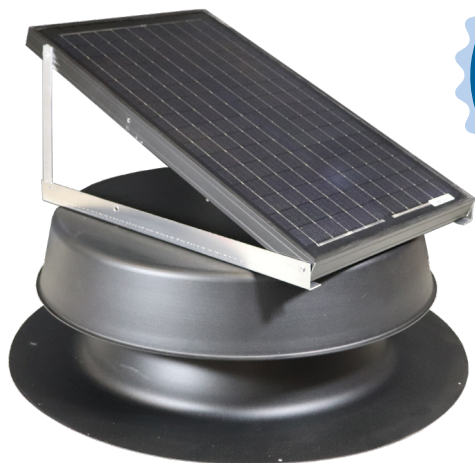


# KENNEDY SKYLIGHTS SOLAR ATTIC FANS

The Environmentally Sensible Solution that can SAVE you Money!



**Roof-mounted unit**  
(16, 32, 48, or 65)

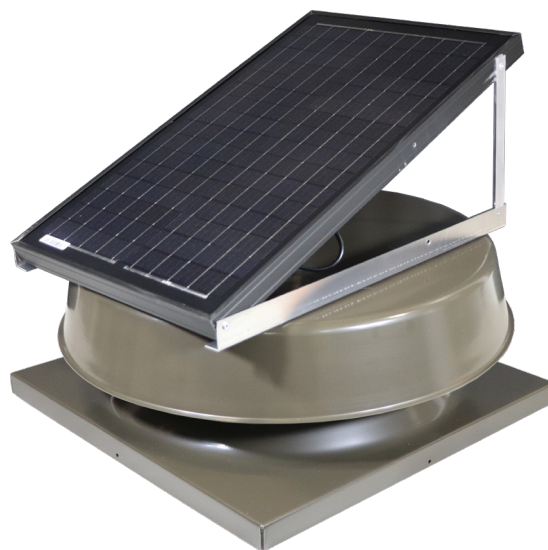


Roof venting is an important aspect in maintaining a healthy energy efficient home. Proper venting cools your roof extending the material life and reduces the load on your air conditioning system. Attic venting also increases fresh air circulation. Powered completely by free solar energy, this sleek and efficient vent is both compact and quiet. Fully operational right from the box, it installs easily, with no electrical wiring. And let's not forget powerful! A 16 watt unit can fully vent up to 1,300 sq. ft. (up to 1,184 cfms), a 32 watt unit up to 2,200 sq. ft. (up to 1,560 cfms ) and a 48 watt unit up to 2,825 sq. ft. (up to 1,881 cfms). Our newest fan, with a 65 watt remote solar panel, has an unmatched venting capacity of up to 3,350 sq. ft. (up to 2,105 cfms)!



Kennedy  
**Skylights**™

**Curb-mounted commercial unit**  
(16, 32, 48, or 65)



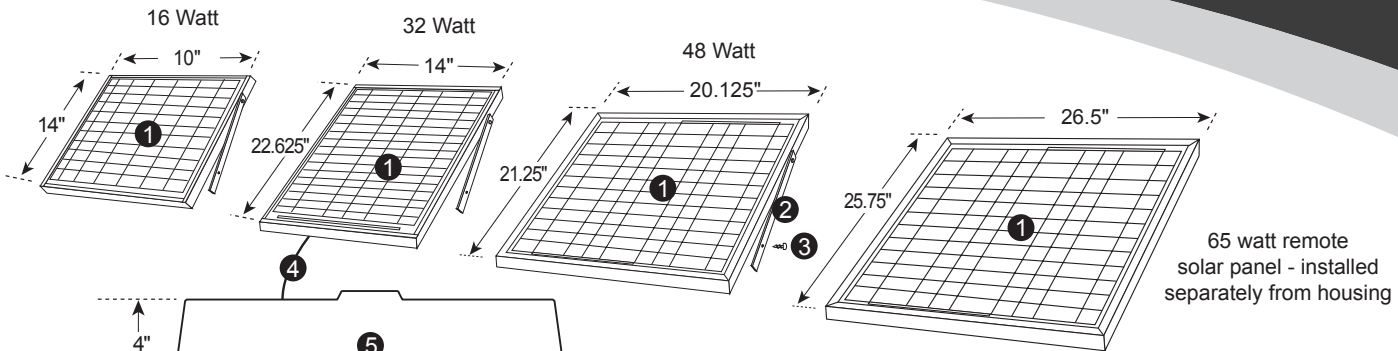
**Gable-mounted unit**  
(16, 32, 48, or 65)



**BEST INDUSTRY WARRANTY:**  
25-Years on the Housing, Solar Panel,  
and Motor

[www.kennedyskylights.com](http://www.kennedyskylights.com)

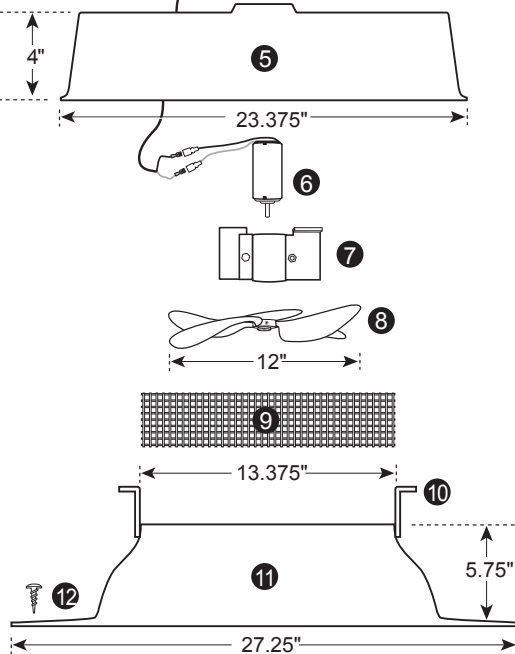
# Solar Attic Fan Technical Specifications



**NOTE:** Exploded view of Solar Attic Fan is for illustrative purposes only. Unit comes fully assembled.

1. Custom Solar Panel (16, 32, 48, or 65 watt available)\*
2. (2) Adjustable Solar Panel Bracket
3. (2) #8 x .75" Self-Tapping Screws
4. 18 Gauge Tinned Copper Wire Lead
5. 1100 Series, Commercial Pure Grade Aluminum Hood
6. Custom DC Motor
7. Motor Bracket Assembly
8. Precision Pitch 5 Blade Fan
9. 3.25" x 48" Stainless Steel Wire Mesh
10. (4) Rugged 14 Gauge Hood Support Bracket
11. 1100 Series, Commercial Pure Grade Aluminum Flashing
12. (6) #6 x 1.5" Stainless Steel Phillips Head Screws

\*solar panel dimensions may vary slightly



**Roof Mount Flashing**

**Curb Mount Flashing**

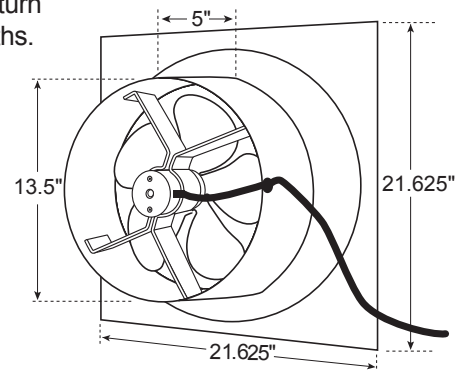


## OPTIONAL ACCESSORIES:

Thermal Snap Switch  
available to automatically turn off unit during colder months.

## SOLAR PANEL VENTING CAPACITY

- 16 watts – up to 1,300 sf  
up to 1,184 CFMs
- 32 watts – up to 2,200 sf  
up to 1,560 CFMs
- 48 watts – up to 2,825 sf  
up to 1,881 CFMs
- 65 watts – up to 3,350 sf  
up to 2,105 CFMs



**Gable Mounted Unit**