



Tubular Skylights

EASILY AND AFFORDABLY

Add Soft, Natural Light to Your Home

For about the cost of a nice light fixture, we can bring the soft, natural light of the sun into virtually any space in your home. Installed on most roofs in under two hours, you will quickly realize the cost benefits of a tubular skylight over traditional skylights and incandescent lighting. In addition to the free sunlight, our tubular skylights do not contribute to heat loss or gain unlike standard framed-skylights.



PRISMATIC

SOFT WHITE



PITCHED



FLAT



CURB MOUNT

FLASHING TYPES

Pitched Roof – 2:12 pitch and steeper
Flat Roof – up to 2:12 pitch
Curb Mount – installs over pre-built curb

FLASHING COLORS

Powder Coated Black Matte
Powder Coated Bronze Gloss
Mill Finish

DIFFUSER STYLES

Prismatic – domed or flat profile
Soft White – domed or flat profile

AVAILABLE ACCESSORIES

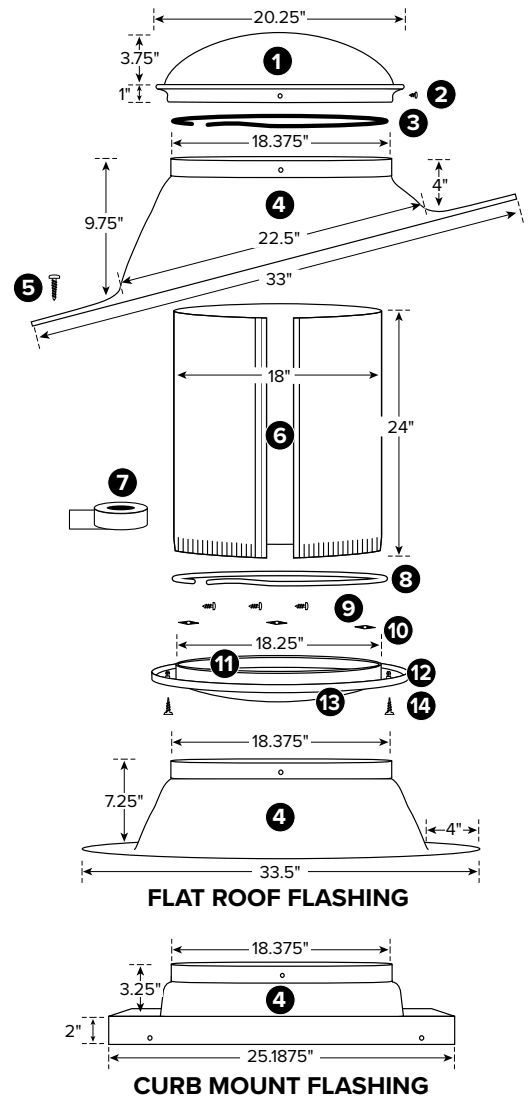
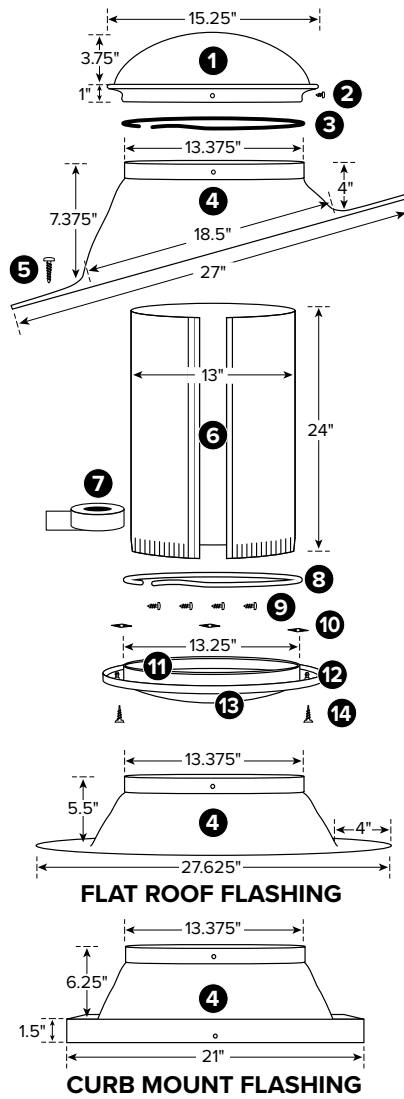
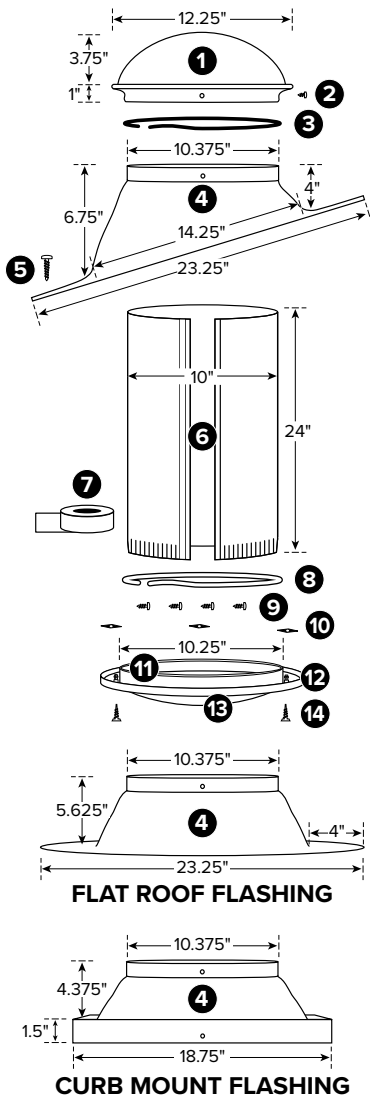
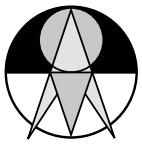
Dimmer Kit – dim light during daytime
Light Kits - electric or solar powered
Exhaust Vent Kit – 10" model only
Extra Light Pipe Sections – 12" or 24"
Angle Adapters – to avoid attic obstructions
Tile Roofs – Flashing Skirt & Turret Extension



Tubular Skylight Key Features

10" | 13" | 18" Models

- Fits any roof pitch and roof type – 3 sizes available
- Precision engineered to withstand harsh weather
- Installs easily with no structural changes or wiring required
- Designed to perform optimally from sunup to sundown
- Disperses light evenly while blocking 99% of harmful UV rays
- Condensation release dome prevents fogging due to humidity
- Aluminum housing is powder coated both inside and out for additional durability and to prevent corrosion
- Qualifies for 30% Federal Tax Credit (when paired with Solar Light Kit)
- Hurricane Tested and Rated, HVHZ Compliant
- Limited Lifetime Warranty



KENNEDY TUBULAR SKYLIGHT TECHNICAL SPECIFICATIONS

Model	Coverage	Wattage	Max Tube
10"	up to 150 sf	up to 300 watts	18'
13"	up to 300 sf	up to 500 watts	20'
18"	up to 500 sf	up to 1,000 watts	20'

Note: Kits include 4 feet of light pipe. Additional light pipe and angle adapters available for all models.

18" model used on homes with 24" on center construction.

1. Clear UV Protected, 100% High Impact Modified Acrylic Dome
2. (4) Phillips Head Stainless Steel .25" Sheet Metal Screws
3. Black Nylon Horse Hair Gasket (self-adhesive)
4. Commercial Pure Grade Aluminum Flashing
5. (6) 1.5" Phillips Head Stainless Steel Screws
6. Heavy Duty Foil Tape
7. (2) 24" Light Pipe Sections
8. White Nylon Horse Hair Gasket (self-adhesive)
9. (8) Phillips Head Stainless Steel .5" Self-Tapping Screws
10. (3) Black Speed Nuts
11. Aluminum Ceiling Ring
12. White Powder Coated Aluminum Trim Ring
13. Prismatic or Soft White Diffuser (domed or flat profile)
14. (3) 1.5" Phillips Head Screws

