



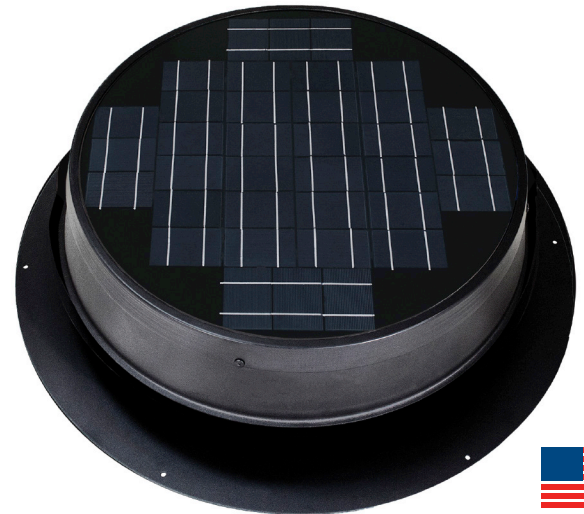
Low Profile Solar Attic Fan

ULTRA LOW PROFILE

35 Watt Solar Attic Fan

- Reliable and affordable unit features a compact, roof-hugging design that blends into the roofline
- Attaches directly to the roof decking - flat or pitched
- Installs on all roof types including shingle, wood shake, metal and tile
- Round solar panel is built into fan housing
- Designed to withstand hurricane winds without solar panel adjustment

Size	Venting Capacity	CFM Output
35 Watt	up to 2,400 sf	up to 1,599 cfms



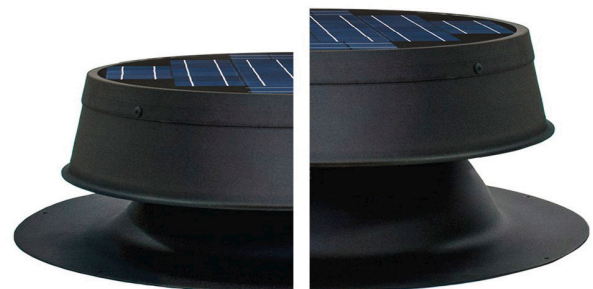
10 REASONS TO BUY A KENNEDY SOLAR ATTIC FAN

1. Extends the life of roof shingles and underlayment
2. Reduces HVAC loads and run times during summer
3. Helps prevent ice damming during winter
4. Reduces damage caused by attic moisture build-up
5. Heavy-duty aluminum housing powder coated for extra durability - black, bronze or mill finish
6. Solar panel is built into the housing to better withstand High Velocity Hurricane Zones (HVHZ)
7. Quick, easy installation – no structural changes
8. Florida Building Code Approved
9. Limited Lifetime Warranty on all components
10. Qualifies for Federal Solar Tax Credits

ACCOMMODATES THICKER TILES

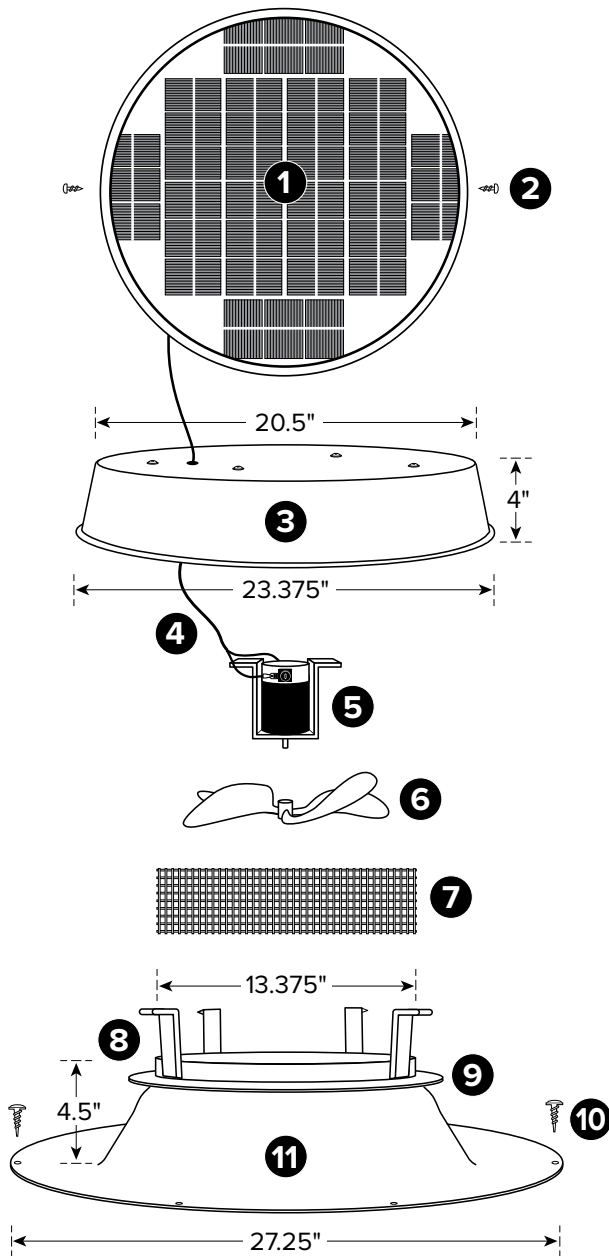
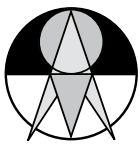
Tile Profile Model

The Tile Profile fan was specifically designed to accommodate thicker tile or slate roofs. It features all the same quality components as our rugged Ultra Low Profile fan, but the housing portion of the fan is raised 3 inches higher to clear the thicker roofing material.



LOW PROFILE

TILE PROFILE



LOW PROFILE SOLAR ATTIC FAN TECHNICAL SPECIFICATIONS

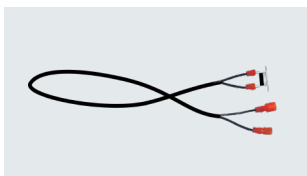
Note: Exploded view for illustrative purposes.
Unit comes fully pre-assembled.

1. 35 Watt PERC Solar Panel Ring
2. (4) #8 x .5" Stainless Steel Philips Head Screws
3. Commercial Grade Aluminum Hood
4. Wire Lead
5. Ultra-quiet DC Motor with Isolation Bracket
6. Precision Pitch 5 Blade Fan
7. 3.25" x 48" Stainless Steel Debris/Critter Barrier
8. (4) Aluminum "L" Hood Support Brackets
9. Storm Collar
10. (6) #10 x 1.5" Stainless Steel Philips Head Screws
11. Commercial Grade Aluminum Roof Mount Flashing



Florida Building Code Approved (#FL13509-R8)
Meets Florida's strict building codes and safety regulations. Passed a series of tests for harsh climate, extreme weather, quality and performance.

Available Accessories:



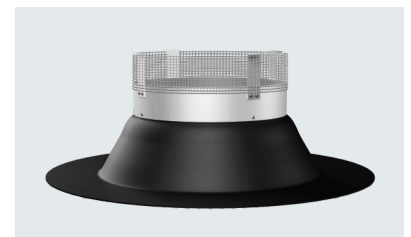
Thermal Switch
Automatically turns fan ON when attic reaches approximately 80°F and OFF at 70°F.



Fire Safety Switch
Helps stop the spread of attic fires by shutting OFF the fan when attic temp reaches 228°F.



Tile Flashing Skirt
Soft mold-able, heavy-gauge aluminum with rubber seal to ensure a weather-tight install.



Tile Turret Extension
Raises the fan housing 3 inches to allow additional room for thicker tile roofs.