

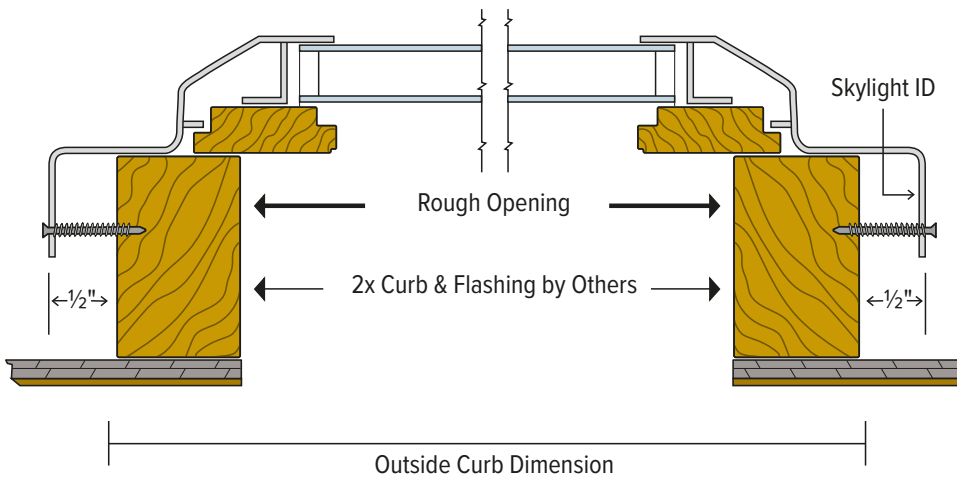
## SELF-FLASHING (SFG) GLASS SKYLIGHT

Self-Flashing skylights attach to the roof deck.

1. Measure the rough opening or the finished opening if a light tunnel exists.
2. Measure both width and length. Be sure to take your measurements as close to the roof deck surface as possible.

CUSTOMER:	ROUGH OPENING: " X "			
DATE:	CURB HEIGHT: <input type="checkbox"/> 2" <input type="checkbox"/> 4" <input type="checkbox"/> 6" <input type="checkbox"/> Other:			
MODEL:	ORIENTATION: <input type="checkbox"/> Portrait <input type="checkbox"/> Landscape			
QUANTITY:	GLAZING	TEMPERED	LAMINATED	IMPACT
APPROVED: (FULL NAME)	(Check One)			
APPROVED: (SIGNATURE)				

**DISCLAIMER:** All custom skylight sales are final upon receipt of signed copies. No refund, changes, or returns will be accepted. No exceptions.



## CURB MOUNT (CMG) GLASS SKYLIGHT

Curb Mount skylights are mounted onto an existing curb built around the roof opening. CMG also fits over Kennedy's AC, ACW or ACWU curbs.

1. Measure the outside of the curb (including flashing) both width & length.

CUSTOMER:	OUTSIDE DIMENSIONS " OF EXISTING CURB: " X "			
DATE:				
MODEL:	SKYLIGHT ID:			
QUANTITY:	GLAZING	TEMPERED	LAMINATED	IMPACT
APPROVED: (FULL NAME)	(Check One)			
APPROVED: (SIGNATURE)				

**DISCLAIMER:** All custom skylight sales are final upon receipt of signed copies. No refund, changes, or returns will be accepted. No exceptions.