



**IMPORTANT:** Please read the ENTIRE instructions before beginning.

INSTALLATION SHOULD ONLY BE COMPLETED BY INDIVIDUALS SKILLED WITH THE NECESSARY TOOLS FOR INSTALLATION. IF YOU DOUBT YOUR SKILLS, PLEASE CONSULT A QUALIFIED INSTALLER.

### Kennedy Step Flashing Kit Components:

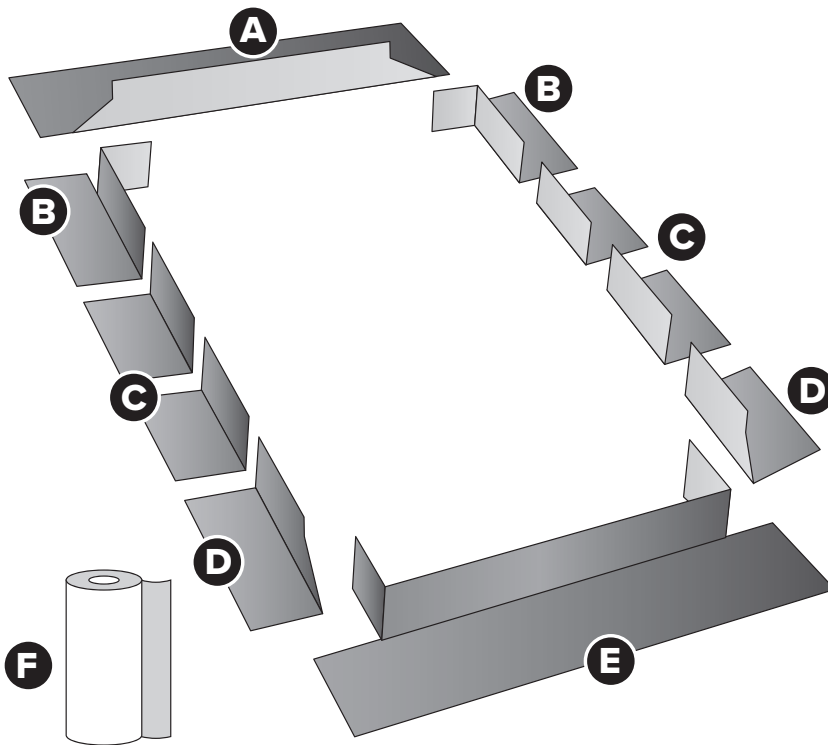
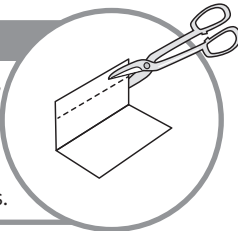
- A.** (1) Head Flashing 3 3/4" x 10" x 34"
- B.** (2) Head Step Flashing Corner 3 3/4" x 6" x 9"
- C.** (18) Step Flashings 3 3/4" x 6" x 9" (number needed will vary on skylight size)
- D.** (2) Sill Step Flashing Corners 3 3/4" x 6" x 9"
- E.** (1) Sill Flashing 3 3/4" x 6" x 34"
- F.** (1) Installation Tape 9" x 18 3/4 feet

### Materials and Tools Needed:

- Kennedy Self Flashing Skylight
- Caulking Gun
- Common Nails
- Hammer
- Phillips Head Screwdriver
- Roofing Nails
- Safety Glasses
- Sealant
- Tin Snips

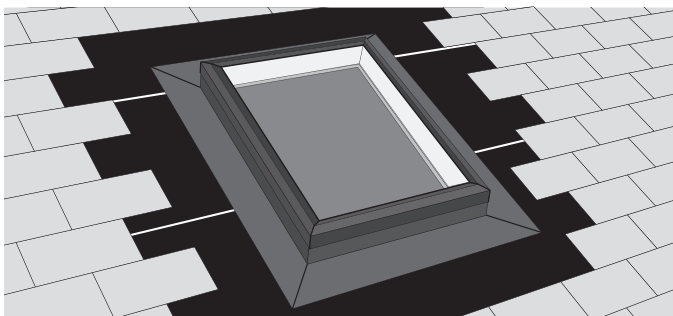
### USING A 2" Self Flashing?

If using a 2" Self Flashing skylight, **ALL** flashing pieces **MUST** be cut down to a height of 1 3/4" using tin snips. Use caution when handling sharp edges of cut pieces.



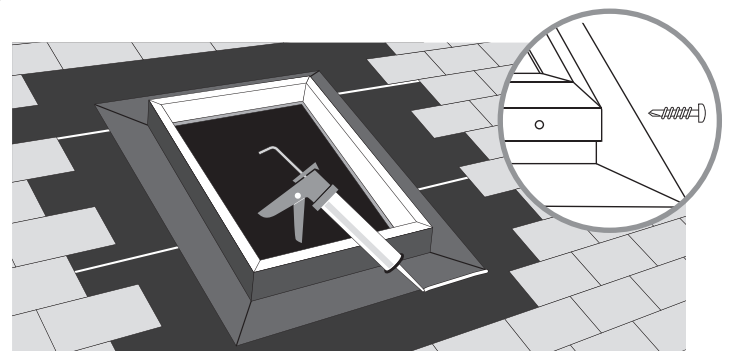
**NOTE:** This Self Flashing Step Flashing installation instructions should be used along with the installations instructions that came with your Kennedy Self Flashing Skylight. Please refer to those instructions for additional installation steps.

**CAUTION:** Do NOT use step flashing on tar and gravel roof installations.



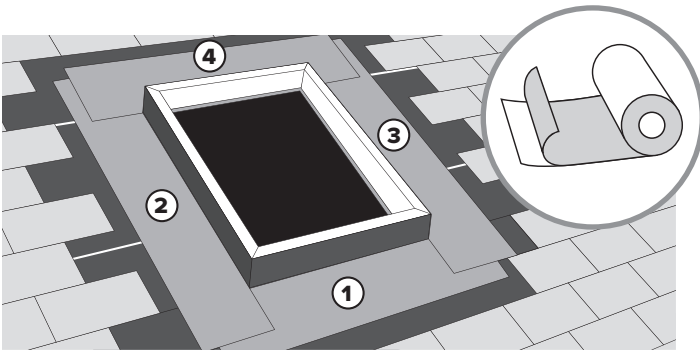
### STEP ONE - INSTALL SELF FLASHING SKYLIGHT

Apply a liberal amount of sealant to roof felt paper all around the rough opening. Carefully center skylight into place. Using pre-punched holes in flange, secure to roof deck. (Please refer to installation that came with your skylight for additional info.)



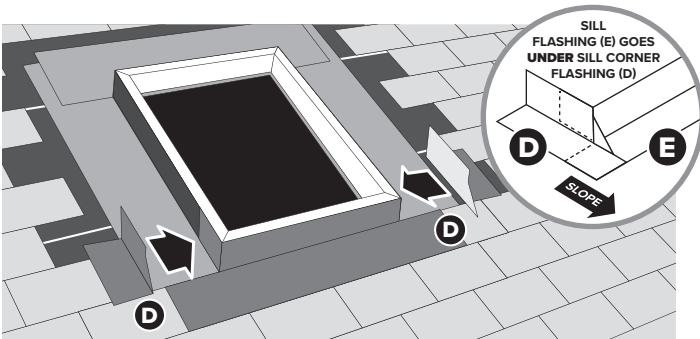
### STEP TWO - REMOVE GLASS SASH

Using a Phillips head screwdriver, remove all screws holding the glass sash to the skylight curb. Keep all screws in a safe place. Caulk all seams around the Self Flashing flashing liberally with sealant.



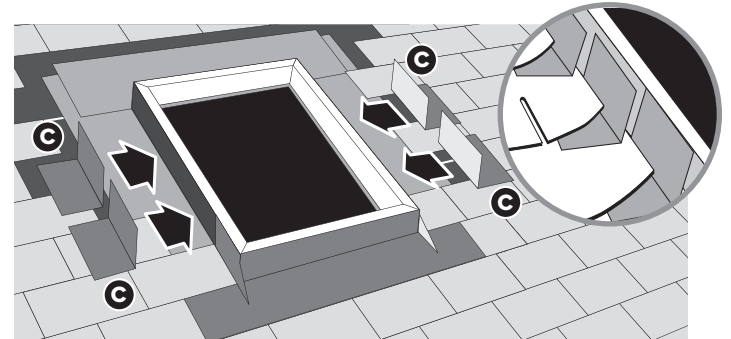
### STEP THREE - INSTALL INSTALLATION TAPE

Cut (2) pieces of installation tape (F) 12" longer than the width of the skylight flashing and (2) pieces 12" longer than the length. Starting at the front (sill), place the installation tape over the skylight flashing centered to extend 6" on each side. Place the installation tape on the left side, right side and back (head) areas.



### STEP FOUR - INSTALL SILL FLASHING

Replace the shingles over the peel-and-stick flashing at the front (sill) of the skylight. Place the sill flashing (E) so it rests on top of shingles. Nail the sill flashing to the roof decking. Do not nail through the skylight Self Flashing flashing.

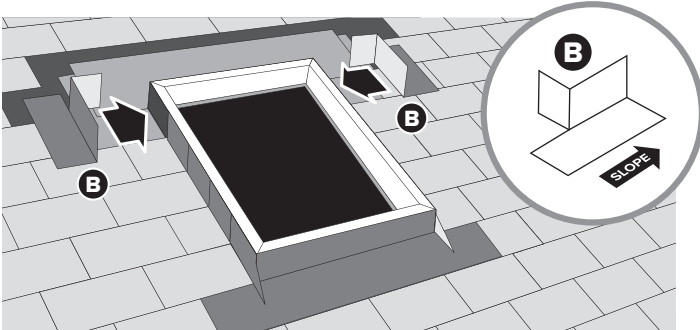


### STEP FIVE - INSTALL SILL STEP FLASHING CORNER

Line up the top edge of the sill step flashing corner (D) with the edge of the skylight curb so that the angle points down the roof slope. Secure with nails to the roof deck. Replace shingles but do NOT nail through sill flashing.

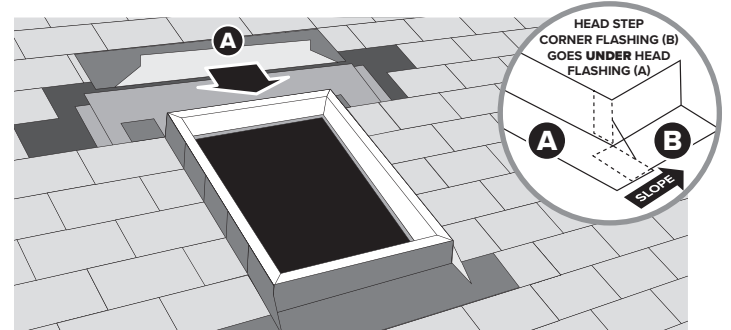
### STEP SIX - INSTALL STEP FLASHING

Install the step flashing pieces (C) on both sides of the curb using a **minimum overlap of 2 1/2"**. Work your way to the top interweaving each step flashing with a roof shingle. Leave room at the very top for the head step flashing corner installed in Step Six.



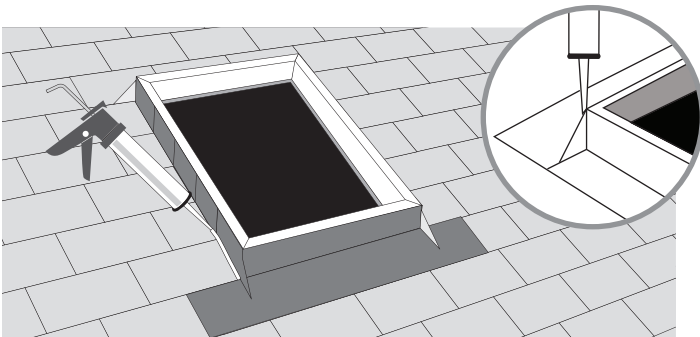
### STEP SEVEN - INSTALL HEAD STEP FLASHING CORNER

Place head step flashing corners (B) over the skylight curb corners and nail to roof deck. Replace shingles over head flashing corners but do NOT nail through flashing.



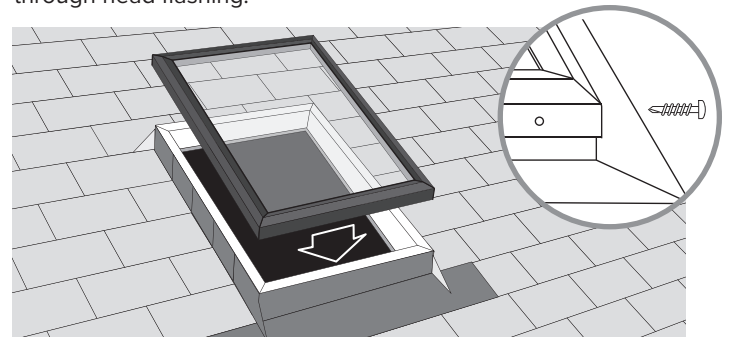
### STEP EIGHT - INSTALL HEAD FLASHING

Place head flashing (A) at the top of the skylight curb so that it sits OVER the lip of the head flashing corner (B). Nail to roof deck. Replace shingles over head flashing but do NOT nail through head flashing.



### STEP NINE - SEAL SEAMS

Caulk all seams, joints and exposed nail heads with sealant, especially at all four corners.



### STEP TEN - INSTALL KENNEDY SKYLIGHT

Carefully place the glass sash over the skylight curb and secure by replacing screws removed in Step One.