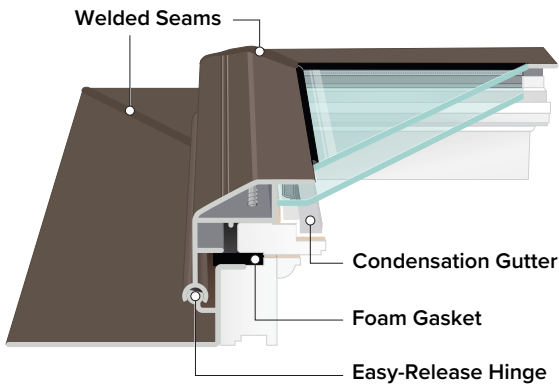




**Kennedy**  
SKYLIGHTS AND  
SOLAR VENTILATION™

800.280.2545 | [KennedySkylights.com](http://KennedySkylights.com)

*Beauty, Quality, Affordability*  
**KENNEDY SKYLIGHTS**



**KEY FEATURES:**

- Meets stringent requirements of the Florida Building Code
- High performance glass
- Drywall return sized for both ½" and ⅝" drywall
- .062" extruded aluminum exterior with welded corners
- Integrated 4" flange with pre-drilled screw holes

**GLASS CHOICES:**

- Tempered, LoE-240 Argon-Filled Glass (standard)
- High Impact, Hurricane Rated, LoE-240 Argon-Filled Glass



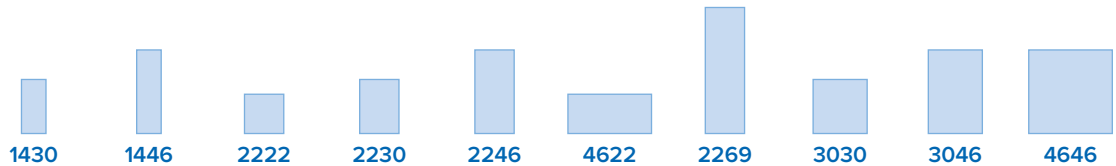
**COLOR CHOICES:**

- Powder coated bronze exterior
- Pre-finished white poplar wood interior
- Natural wood interior is optional
- Custom colors and sizes available



**WARRANTY:**

- 25-Year non-prorated limited warranty on insulated glass against seal failure
- 10-Year limited warranty against defects in workmanship and materials



**SKYLIGHT SIZES**

SIZE CODE	ROUGH OPENING Width x Length	OUTSIDE FLANGE Width x Length
1430	14.5" x 30.5"	23" x 39"
1446	14.5" x 46.5"	23" x 55"
2222	22.5" x 22.5"	31" x 31"
2230	22.5" x 30.5"	31" x 39"
2246	22.5" x 46.5"	31" x 55"
4622	46.5" x 22.5"	55" x 31"
2269	22.5" x 69.5"	31" x 78"
3030	30.5" x 30.5"	39" x 39"
3046	30.5" x 46.5"	39" x 55"
4646	46.5" x 46.5"	55" x 55"

**TEMPERED LoE-240 GLASS**

MODEL NUMBER	WEIGHT
1430 - TSFG2	23 lbs
1446 - TSFG2	38 lbs
2222 - TSFG2	29 lbs
2230 - TSFG2	35 lbs
2246 - TSFG2	50 lbs
4622 - TSFG2	50 lbs
2269 - TSFG2	74 lbs
3030 - TSFG2	47 lbs
3046 - TSFG2	61 lbs
4646 - TSFG2	108 lbs

**HIGH IMPACT LoE-240 GLASS**

MODEL NUMBER	WEIGHT
N/A	—
N/A	—
2222 - ISFG2	32 lbs
N/A	—
2246 - ISFG2	54 lbs
4622 - ISFG2	54 lbs
N/A	—
N/A	—
N/A	—
4646 - ISFG2	123 lbs

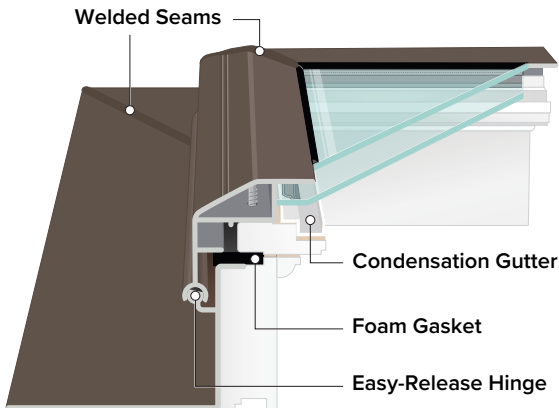
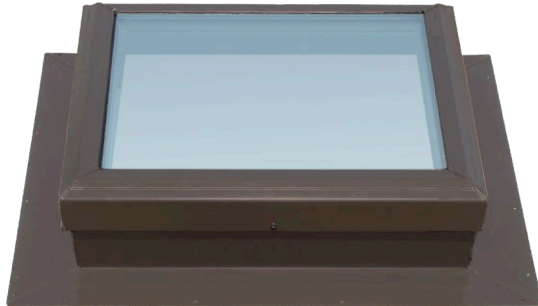


**Kennedy**  
SKYLIGHTS AND  
SOLAR VENTILATION™

# Self-Flashing Fixed Glass Skylight 4" High Curb

**SFG4**

**GLASS**



### KEY FEATURES:

- Meets stringent requirements of the Florida Building Code
- High performance glass
- Drywall return sized for both 1/2" and 5/8" drywall
- .062" extruded aluminum exterior with welded corners
- Integrated 4" flange with pre-drilled screw holes

### GLASS CHOICES:

- Tempered, LoE-240 Argon-Filled Glass (standard)
- High Impact, Hurricane Rated, LoE-240 Argon-Filled Glass



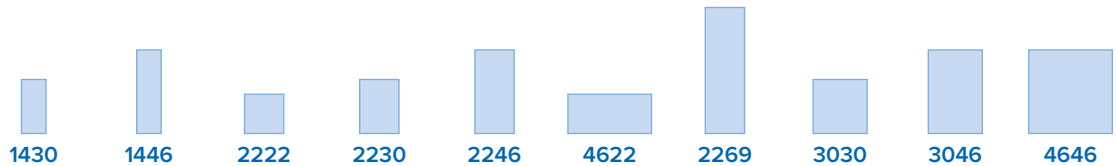
### COLOR CHOICES:

- Powder coated bronze exterior
- Pre-finished white poplar wood interior
- Natural wood interior is optional
- Custom colors and sizes available



### WARRANTY:

- 25-Year non-prorated limited warranty on insulated glass against seal failure
- 10-Year limited warranty against defects in workmanship and materials



### SKYLIGHT SIZES

SIZE CODE	ROUGH OPENING Width x Length	OUTSIDE FLANGE Width x Length
1430	14.5" x 30.5"	23" x 39"
1446	14.5" x 46.5"	23" x 55"
2222	22.5" x 22.5"	31" x 31"
2230	22.5" x 30.5"	31" x 39"
2246	22.5" x 46.5"	31" x 55"
4622	46.5" x 22.5"	55" x 31"
2269	22.5" x 69.5"	31" x 78"
3030	30.5" x 30.5"	39" x 39"
3046	30.5" x 46.5"	39" x 55"
4646	46.5" x 46.5"	55" x 55"

### TEMPERED LoE-240 GLASS

MODEL NUMBER	WEIGHT
1430 - TSFG4	26 lbs
1446 - TSFG4	42 lbs
2222 - TSFG4	35 lbs
2230 - TSFG4	41 lbs
2246 - TSFG4	56 lbs
4622 - TSFG4	56 lbs
2269 - TSFG4	80 lbs
3030 - TSFG4	51 lbs
3046 - TSFG4	68 lbs
4646 - TSFG4	116 lbs

### HIGH IMPACT LoE-240 GLASS

MODEL NUMBER	WEIGHT
N/A	—
N/A	—
2222 - ISFG4	38 lbs
N/A	—
2246 - ISFG4	63 lbs
4622 - ISFG4	63 lbs
N/A	—
N/A	—
N/A	—
4646 - ISFG4	134 lbs

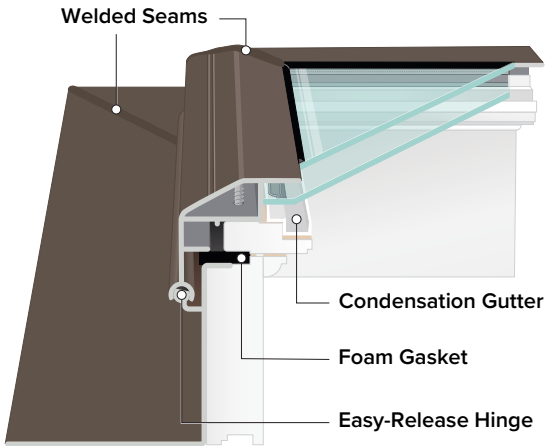


**Kennedy**  
SKYLIGHTS AND  
SOLAR VENTILATION™

# Self-Flashing Fixed Glass Skylight 6" High Curb

**SFG6**

**GLASS**



### KEY FEATURES:

- Meets stringent requirements of the Florida Building Code
- High performance glass
- Drywall return sized for both ½" and ⅝" drywall
- .062" extruded aluminum exterior with welded corners
- Integrated 4" flange with pre-drilled screw holes

### GLASS CHOICES:

- Tempered, LoE-240 Argon-Filled Glass (standard)
- High Impact, Hurricane Rated, LoE-240 Argon-Filled Glass



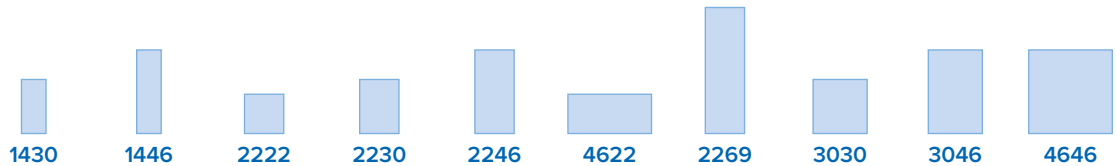
### COLOR CHOICES:

- Powder coated bronze exterior
- Pre-finished white poplar wood interior
- Natural wood interior is optional
- Custom colors and sizes available



### WARRANTY:

- 25-Year non-prorated limited warranty on insulated glass against seal failure
- 10-Year limited warranty against defects in workmanship and materials



### SKYLIGHT SIZES

SIZE CODE	ROUGH OPENING Width x Length	OUTSIDE FLANGE Width x Length
1430	14.5" x 30.5"	23" x 39"
1446	14.5" x 46.5"	23" x 55"
2222	22.5" x 22.5"	31" x 31"
2230	22.5" x 30.5"	31" x 39"
2246	22.5" x 46.5"	31" x 55"
4622	46.5" x 22.5"	55" x 31"
2269	22.5" x 69.5"	31" x 78"
3030	30.5" x 30.5"	39" x 39"
3046	30.5" x 46.5"	39" x 55"
4646	46.5" x 46.5"	55" x 55"

### TEMPERED LoE-240 GLASS

MODEL NUMBER	WEIGHT
1430 - TSFG6	29 lbs
1446 - TSFG6	47 lbs
2222 - TSFG6	38 lbs
2230 - TSFG6	47 lbs
2246 - TSFG6	59 lbs
4622 - TSFG6	59 lbs
2269 - TSFG6	92 lbs
3030 - TSFG6	57 lbs
3046 - TSFG6	78 lbs
4646 - TSFG6	127 lbs

### HIGH IMPACT LoE-240 GLASS

MODEL NUMBER	WEIGHT
N/A	—
N/A	—
2222 - ISFG6	40 lbs
N/A	—
2246 - ISFG6	76 lbs
4622 - ISFG6	76 lbs
N/A	—
N/A	—
N/A	—
4646 - ISFG6	166 lbs



**Kennedy**  
SKYLIGHTS AND  
SOLAR VENTILATION™

# Self-Flashing Ventilating Glass Skylight 4" High Curb

**SFVG4**

**GLASS**



### KEY FEATURES:

- High performance glass
- Opens up to 8" and includes an insect screen
- Drywall return sized for both 1/2" and 5/8" drywall
- .062" extruded aluminum exterior with welded corners
- Integrated 4" flange with pre-drilled screw holes

### QUALITY MATERIALS & OPENING OPTIONS

- Exterior is powder-coated bronze for superior durability
- Pre-finished white wood interior
- Standard model includes a hand crank for opening
- Optional Telescopic Extension Pole available
- Motorized electrical opener available to open skylight with a remote control

### GLASS TYPE:

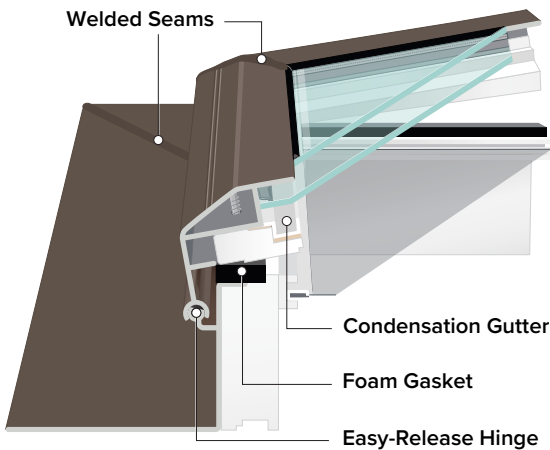
- Tempered, LoE-240 Argon-Filled Glass

### COLOR CHOICES:

- Powder coated bronze exterior
- Pre-finished white poplar wood interior
- Natural wood interior is optional
- Custom colors and sizes available

### WARRANTY:

- 25-Year non-prorated limited warranty on insulated glass against seal failure
- 10-Year limited warranty against defects in workmanship and materials



Roof Pitches



2222



2230



2246



3030



3046



4646

### SKYLIGHT SIZES

SIZE CODE	ROUGH OPENING Width x Length	OUTSIDE FLANGE Width x Length
2222	22.5" x 22.5"	31" x 31"
2230	22.5" x 30.5"	31" x 39"
2246	22.5" x 46.5"	31" x 55"
3030	30.5" x 30.5"	39" x 39"
3046	30.5" x 46.5"	39" x 55"
4646	46.5" x 46.5"	55" x 55"

### TEMPERED LoE-240 GLASS

MODEL NUMBER	WEIGHT
2222 - SFVG4	38 lbs
2230 - SFVG4	47 lbs
2246 - SFVG4	59 lbs
3030 - SFVG4	57 lbs
3046 - SFVG4	78 lbs
4646 - SFVG4	127 lbs

**HIGH IMPACT GLASS  
NOT AVAILABLE**



**Kennedy**  
SKYLIGHTS AND  
SOLAR VENTILATION™

# Self-Flashing Solar Ventilating Glass Skylight 4" High Curb

**SFSVG4**

**GLASS**



### KEY FEATURES:

- High performance glass
- Opens up to 8" and includes an insect screen
- Drywall return sized for both 1/2" and 5/8" drywall
- .062" extruded aluminum exterior with welded corners
- Integrated 4" flange with pre-drilled screw holes
- Qualifies for a 30% Federal Tax Credit

### QUALITY MATERIALS & OPENING OPTIONS

- Exterior is powder-coated bronze for superior durability
- Pre-finished white wood interior
- Standard model includes a hand crank for opening
- Optional Telescopic Extension Pole available
- Motorized electrical opener available to open skylight with a remote control

### GLASS TYPE:

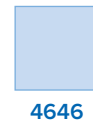
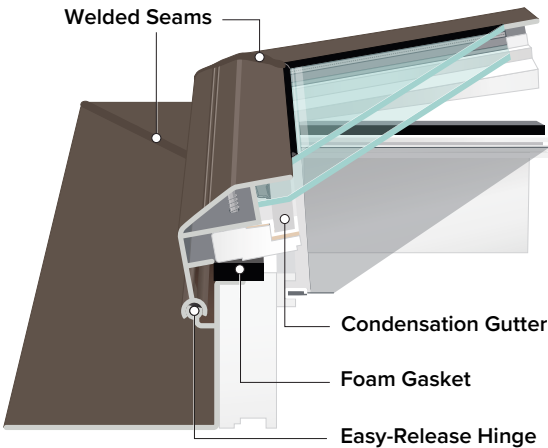
- Tempered, LoE-240 Argon-Filled Glass

### COLOR CHOICES:

- Powder coated bronze exterior
- Pre-finished white poplar wood interior
- Natural wood interior is optional
- Custom colors and sizes available

### WARRANTY:

- 25-Year non-prorated limited warranty on insulated glass against seal failure
- 10-Year limited warranty against defects in workmanship and materials



### SKYLIGHT SIZES

SIZE CODE	ROUGH OPENING Width x Length	OUTSIDE FLANGE Width x Length
2222	22.5" x 22.5"	31" x 31"
2230	22.5" x 30.5"	31" x 39"
2246	22.5" x 46.5"	31" x 55"
3030	30.5" x 30.5"	39" x 39"
3046	30.5" x 46.5"	39" x 55"
4646	46.5" x 46.5"	55" x 55"

### TEMPERED LoE-240 GLASS

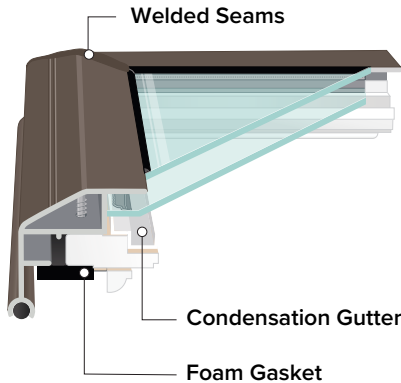
MODEL NUMBER	WEIGHT
2222 - SFSVG4	38 lbs
2230 - SFSVG4	47 lbs
2246 - SFSVG4	59 lbs
3030 - SFSVG4	57 lbs
3046 - SFSVG4	78 lbs
4646 - SFSVG4	127 lbs



QUALIFIES FOR  
**30% TAX CREDITS**

**HIGH IMPACT GLASS  
NOT AVAILABLE**





**KEY FEATURES:**

- Quickly and easily replace an old or failing skylight sash
- Sized to replace standard Kennedy SFG sashes
- Meets stringent requirements of the Florida Building Code
- High performance glass
- .062" extruded aluminum exterior with welded corners

**GLASS CHOICES:**

- Tempered, LoE-240 Argon-Filled Glass (standard)
- High Impact, Hurricane Rated, LoE-240 Argon-Filled Glass



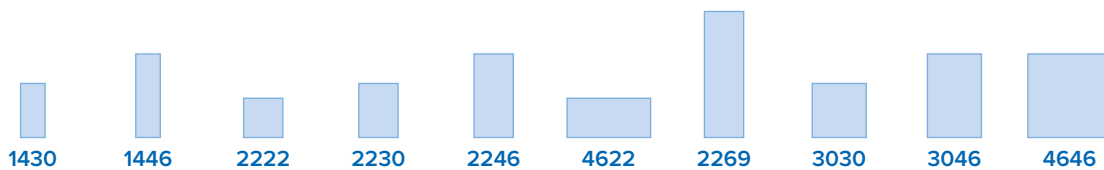
**COLOR CHOICES:**

- Powder coated bronze exterior
- Custom colors and sizes available



**WARRANTY:**

- 25-Year non-prorated limited warranty on insulated glass against seal failure
- 10-Year limited warranty against defects in workmanship and materials



**SKYLIGHT SIZES**

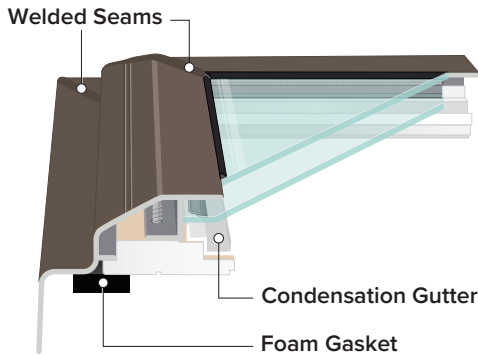
SIZE CODE	ROUGH OPENING Width x Length
1430	14.5" x 30.5"
1446	14.5" x 46.5"
2222	22.5" x 22.5"
2230	22.5" x 30.5"
2246	22.5" x 46.5"
4622	46.5" x 22.5"
2269	22.5" x 69.5"
3030	30.5" x 30.5"
3046	30.5" x 46.5"
4646	46.5" x 46.5"

**TEMPERED LoE-240 GLASS**

MODEL NUMBER	WEIGHT
1430 - TRG	23 lbs
1446 - TRG	38 lbs
2222 - TRG	29 lbs
2230 - TRG	35 lbs
2246 - TRG	50 lbs
4622 - TRG	50 lbs
2269 - TRG	74 lbs
3030 - TRG	47 lbs
3046 - TRG	61 lbs
4646 - TRG	108 lbs

**HIGH IMPACT LoE-240 GLASS**

MODEL NUMBER	WEIGHT
N/A	—
N/A	—
2222 - IRG	32 lbs
N/A	—
2246 - IRG	54 lbs
4622 - IRG	54 lbs
N/A	—
N/A	—
N/A	—
4646 - IRG	123 lbs



**KEY FEATURES:**

- Meets stringent requirements of the Florida Building Code
- High performance glass
- .062" extruded aluminum exterior with welded corners
- Oversized to fit most curbs

**GLASS CHOICES:**

- Tempered, LoE-240 Argon-Filled Glass
- High Impact, Hurricane Rated, LoE-240 Argon Filled Glass



**COLOR CHOICES AND OPTIONS:**

- Powder coated bronze exterior
- Custom colors and sizes available
- Optional aluminum curb available - mounts on AC or ACW models (see curb section for details)



**WARRANTY:**

- 25-Year non-prorated limited warranty on insulated glass against seal failure
- 10-Year limited warranty against defects in workmanship and materials



**SKYLIGHT SIZES**

SIZE CODE	ROUGH OPENING Width x Length	OUTSIDE CURB <sup>†</sup> Width x Length
1430	14.5" x 30.5"	17.5" x 33.5"
1446	14.5" x 46.5"	17.5" x 49.5"
2222	22.5" x 22.5"	25.5" x 25.5"
2230	22.5" x 30.5"	25.5" x 33.5"
2246	22.5" x 46.5"	25.5" x 49.5"
2269	22.5" x 69.5"	25.5" x 72.5"
3030	30.5" x 30.5"	33.5" x 33.5"
3046	30.5" x 46.5"	33.5" x 49.5"
4646	46.5" x 46.5"	49.5" x 49.5"

**TEMPERED LoE-240 GLASS**

MODEL NUMBER	WEIGHT
1430 - TCMG	20 lbs
1446 - TCMG	33 lbs
2222 - TCMG	24 lbs
2230 - TCMG	30 lbs
2246 - TCMG	41 lbs
2269 - TCMG	56 lbs
3030 - TCMG	37 lbs
3046 - TCMG	50 lbs
4646 - TCMG	87 lbs

**HIGH IMPACT LoE-240 GLASS**

MODEL NUMBER	WEIGHT
N/A	-
N/A	-
2222 - ICMG	31 lbs
N/A	-
2246 - ICMG	55 lbs
N/A	-
N/A	-
N/A	-
4646 - ICMG	103 lbs

<sup>†</sup>CMG models are manufactured 1" larger than the outside curb dimension to allow for flashing material.  
Example: 2246-CMG actual dimensions = 26.5" x 50.5"





**Kennedy**  
SKYLIGHTS AND  
SOLAR VENTILATION™

# High Impact Curb Mount Fixed Glass Skylight

Miami-Dade County Product Control Approved

**MD-ICMG**

**GLASS**



### KEY FEATURES:

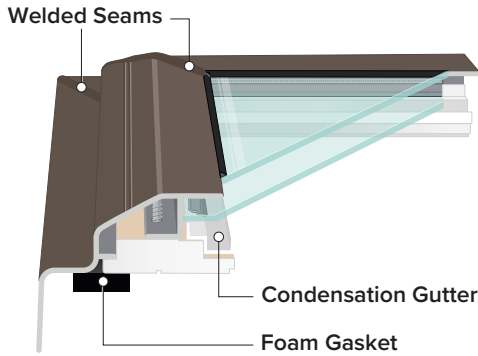
- Meets stringent requirements of the Florida Building Code
- High performance glass
- .062" extruded aluminum exterior with welded corners
- Oversized to fit most curbs

### GLASS TYPE:

- High Impact, Hurricane Rated, LoE-240 Argon Filled Glass

### APPROVED FOR ALL HURRICANE AND WIND ZONES:

- MD-ICMG model has undergone intense water pressure testing, large missile impact testing and water infiltration testing to be certified as **Miami-Dade County Product Control Approved** for all hurricane and HVHZ wind zones

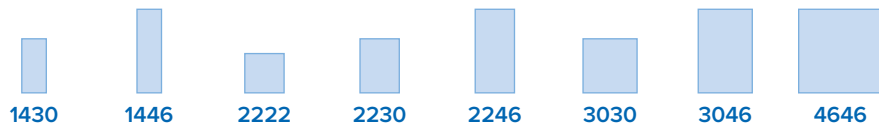


### COLOR CHOICES AND OPTIONS:

- Powder coated bronze exterior
- Custom colors and sizes available
- Optional aluminum curb available - mounts on AC or ACW models (see curb section for details)

### WARRANTY:

- 25-Year non-prorated limited warranty on insulated glass against seal failure
- 10-Year limited warranty against defects in workmanship and materials



### SKYLIGHT SIZES

SIZE CODE	ROUGH OPENING Width x Length	OUTSIDE CURB <sup>†</sup> Width x Length
1430	14.5" x 30.5"	17.5" x 33.5"
1446	14.5" x 46.5"	17.5" x 49.5"
2222	22.5" x 22.5"	25.5" x 25.5"
2230	22.5" x 30.5"	25.5" x 33.5"
2246	22.5" x 46.5"	25.5" x 49.5"
3030	30.5" x 30.5"	33.5" x 33.5"
3046	30.5" x 46.5"	33.5" x 49.5"
4646	46.5" x 46.5"	49.5" x 49.5"

### MD-ICMG SKYLIGHT ONLY

MODEL NUMBER	WEIGHT
1430 - MD-ICMG	23 lbs
1446 - MD-ICMG	37 lbs
2222 - MD-ICMG	31 lbs
2230 - MD-ICMG	39 lbs
2246 - MD-ICMG	55 lbs
3030 - MD-ICMG	49 lbs
3046 - MD-ICMG	70 lbs
4646 - MD-ICMG	103 lbs

### MD-ICMG/ACW6 (WITH 6" CURB)

MODEL NUMBER	WEIGHT
N/A	-
N/A	-
2222MD-ICMG/ACW6	58 lbs
N/A	-
2246MD-ICMG/ACW6	94 lbs
N/A	-
N/A	-
4646MD-ICMG/ACW6	148 lbs

<sup>†</sup>MD-ICMG models are manufactured 1" larger than the outside curb dimension to allow for flashing material.  
Example: 2246-MD-ICMG actual dimensions = 26.5" x 50.5"



**WLS MOTORIZED SYSTEM / ELECTRICAL OPERATION**

- Powerful, completely motorized drive system
- Capable of lifting our heaviest and largest skylight
- Includes electrical operator with rain sensor, cover, and hand-held remote
- Features Power Protected Memory - eliminates the need to reset motor after a power-outage
- 1-Year Warranty against defects in materials and workmanship

MODEL	PRODUCT DESCRIPTION
WLS	Motorized System



**CONTROL ROD / MANUAL OPERATION**

- Smooth operating control rod allows you to open and close your Vented Skylight with ease
- Telescoping design allows you to reach up to 9 feet so the Venting Skylight can be opened and closed without a ladder
- Collapses down to allow easy storage

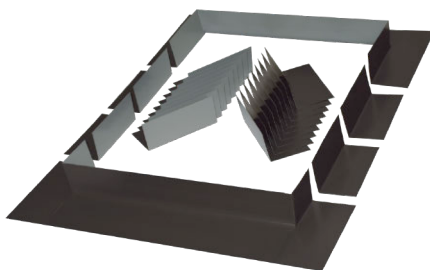
MODEL	PRODUCT DESCRIPTION
POLE1	Telescoping Pole with Hex Ball



**HEX BALL ADAPTER / MANUAL OPERATION**

- For use with our manual control rod when you have multiple vented skylights
- Attaches directly to the manual control on our vented skylights
- Fits into the operator on the skylight frame

MODEL	PRODUCT DESCRIPTION
HBA	Hex Ball Adapter



**CURB MOUNT STEP FLASHING KIT**

- Flashing pieces come together with the shingles to provide water protection for your roof
- Powder coated exterior for consistent finish that protects from corrosion

MODEL	PRODUCT DESCRIPTION
CMSF	Curb Mount Step Flashing Kit



**KEY FEATURES:**

- Meets stringent requirements of the Florida Building Code
- Co-extruded polycarbonate dome
- Golden bronze tinted outer dome and clear inner panel
- 4" pre-drilled integrated nailing flange
- No curb required
- Mounts between shingles and roof decking
- Energy efficient and blocks harmful UV radiation
- Lightweight - easy to handle and install

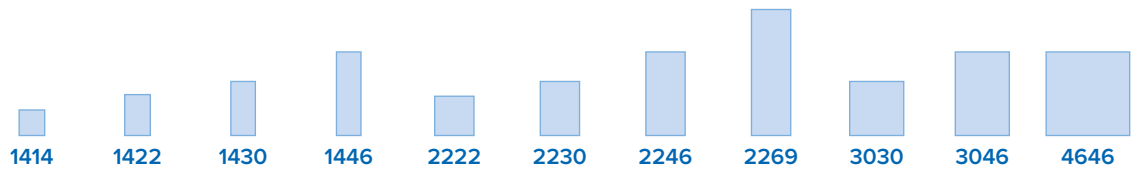
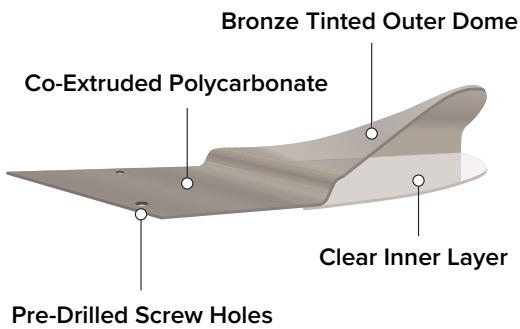
**POLYCARBONATE ADVANTAGES:**

- 30-times more impact resistant than acrylic skylights
- 250-times more impact resistant than glass
- Resists temperature extremes from -60°F to +250°F
- Superior weathering performance
- High clarity and light transmission
- Resists effects of solar UV radiation



**WARRANTY:**

- 10-Year limited warranty against defects in workmanship and materials



**SKYLIGHT SIZES**

SIZE CODE	ROUGH OPENING Width x Length	SKYLIGHT SIZE Width x Length
1414	14.5" x 14.5"	22" x 22"
1422	14.5" x 22.5"	22" x 30"
1430	14.5" x 30.5"	22" x 38"
1446	14.5" x 46.5"	22" x 54"
2222	22.5" x 22.5"	30" x 30"
2230	22.5" x 30.5"	30" x 38"
2246	22.5" x 46.5"	30" x 54"
2269	22.5" x 69.5"	30" x 77"
3030	30.5" x 30.5"	38" x 38"
3046	30.5" x 46.5"	38" x 54"
4646	46.5" x 46.5"	54" x 54"

**SF POLYCARBONATE**

MODEL NUMBER	WEIGHT
1414 - SF	4 lbs
1422 - SF	5 lbs
1430 - SF	6 lbs
1446 - SF	8 lbs
2222 - SF	7 lbs
2230 - SF	11 lbs
2246 - SF	13 lbs
2269 - SF	25 lbs
3030 - SF	12 lbs
3046 - SF	17 lbs
4646 - SF	26 lbs



**KEY FEATURES:**

- Meets stringent requirements of the Florida Building Code
- Co-extruded polycarbonate dome
- Golden bronze tinted outer dome and clear inner panel
- Mounts on existing curb, site-built curb, Kennedy AC or ACW Curbs (see curb section) - hardware included
- Pre-drilled screw holes for fast and easy installation
- Energy efficient and blocks harmful UV radiation
- Lightweight - easy to handle

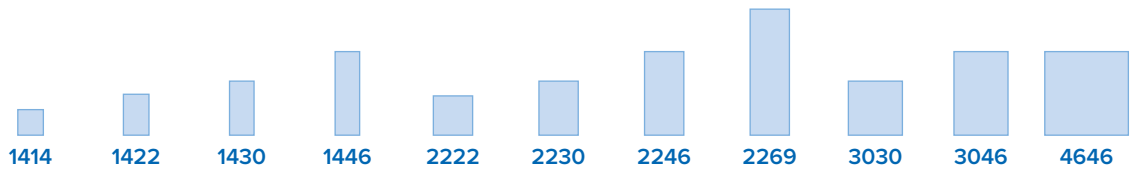
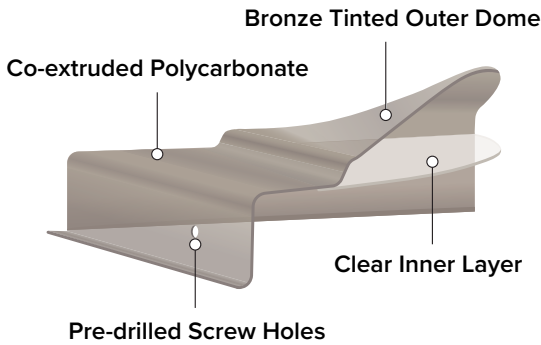
**POLYCARBONATE ADVANTAGES:**

- 30-times more impact resistant than acrylic skylights
- 250-times more impact resistant than glass
- Resists temperature extremes from -60°F to +250°F
- Superior weathering performance
- High clarity and light transmission
- Resists effects of solar UV radiation



**WARRANTY:**

- 10-Year limited warranty against defects in workmanship and materials



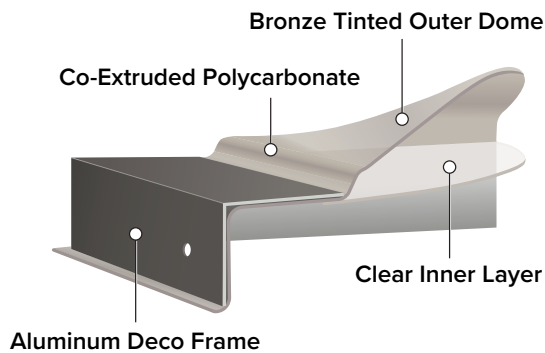
**SKYLIGHT SIZES**

SIZE CODE	ROUGH OPENING Width x Length	OUTSIDE CURB <sup>†</sup> Width x Length
1414	14.5" x 14.5"	17.5" x 17.5"
1422	14.5" x 22.5"	17.5" x 25.5"
1430	14.5" x 30.5"	17.5" x 33.5"
1446	14.5" x 46.5"	17.5" x 49.5"
2222	22.5" x 22.5"	25.5" x 25.5"
2230	22.5" x 30.5"	25.5" x 33.5"
2246	22.5" x 46.5"	25.5" x 49.5"
2269	22.5" x 69.5"	25.5" x 72.5"
3030	30.5" x 30.5"	33.5" x 33.5"
3046	30.5" x 46.5"	33.5" x 49.5"
4646	46.5" x 46.5"	49.5" x 49.5"

**CM POLYCARBONATE**

MODEL NUMBER	WEIGHT
1414 - CM	4 lbs
1422 - CM	5 lbs
1430 - CM	6 lbs
1446 - CM	8 lbs
2222 - CM	7 lbs
2230 - CM	11 lbs
2246 - CM	13 lbs
2269 - CM	25 lbs
3030 - CM	12 lbs
3046 - CM	17 lbs
4646 - CM	26 lbs

<sup>†</sup>CM models are manufactured 1" larger than the outside curb dimension to allow for flashing material.  
Example: 2246-CM actual dimensions = 26.5" x 50.5"



**KEY FEATURES:**

- Meets stringent requirements of the Florida Building Code
- Co-extruded polycarbonate dome
- Features a powder coated bronze aluminum deco frame for added durability
- Golden bronze tinted outer dome and clear inner panel
- Mounts on existing curb, site-built curb, Kennedy AC or ACW Curbs (see curb section) - hardware included
- Pre-drilled screw holes for fast and easy installation
- Energy efficient and blocks harmful UV radiation
- Lightweight - easy to handle

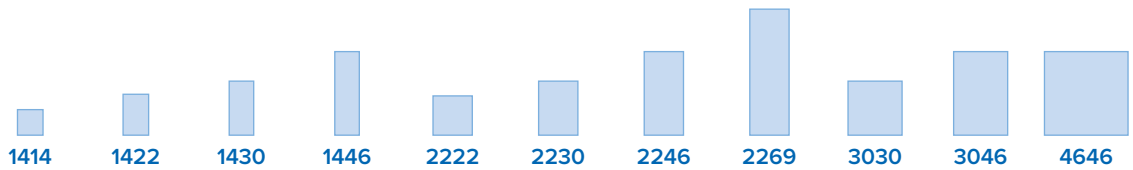
**POLYCARBONATE ADVANTAGES:**

- 30-times more impact resistant than acrylic skylights
- 250-times more impact resistant than glass
- Resists temperature extremes from -60°F to +250°F
- Superior weathering performance
- High clarity and light transmission
- Resists effects of solar UV radiation



**WARRANTY:**

- 10-Year limited warranty against defects in workmanship and materials



**SKYLIGHT SIZES**

SIZE CODE	ROUGH OPENING Width x Length	OUTSIDE CURB <sup>+</sup> Width x Length
1414	14.5" x 14.5"	17.5" x 17.5"
1422	14.5" x 22.5"	17.5" x 25.5"
1430	14.5" x 30.5"	17.5" x 33.5"
1446	14.5" x 46.5"	17.5" x 49.5"
2222	22.5" x 22.5"	25.5" x 25.5"
2230	22.5" x 30.5"	25.5" x 33.5"
2246	22.5" x 46.5"	25.5" x 49.5"
2269	22.5" x 69.5"	25.5" x 72.5"
3030	30.5" x 30.5"	33.5" x 33.5"
3046	30.5" x 46.5"	33.5" x 49.5"
4646	46.5" x 46.5"	49.5" x 49.5"

**CMA POLYCARBONATE**

MODEL NUMBER	WEIGHT
1414 - CMA	5 lbs
1422 - CMA	6 lbs
1430 - CMA	8 lbs
1446 - CMA	10 lbs
2222 - CMA	9 lbs
2230 - CMA	13 lbs
2246 - CMA	15 lbs
2269 - CMA	28 lbs
3030 - CMA	14 lbs
3046 - CMA	20 lbs
4646 - CMA	30 lbs

<sup>+</sup>CMA models are manufactured 1" larger than the outside curb dimension to allow for flashing material.  
Example: 2246-CMA actual dimensions = 26.5" x 50.5"

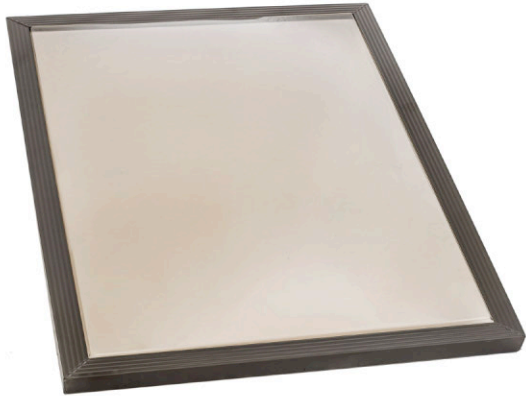


**Kennedy**  
SKYLIGHTS AND  
SOLAR VENTILATION™

# Hurricane Approved Curb Mount Aluminum Polycarbonate Skylight

**HCMA**

**POLYCARBONATE**



## KEY FEATURES:

- Meets stringent requirements of the Florida Building Code
- Approved for use in high velocity hurricane zones
- Co-extruded polycarbonate dome
- Perimeter framed by hurricane rated, welded aluminum ring
- Golden bronze tinted outer dome and clear inner panel
- Mounts on existing curb, site-built curb, Kennedy AC or ACW Curbs (see curb section) - hardware included
- Pre-drilled screw holes for fast and easy installation
- Energy efficient and blocks harmful UV radiation
- Lightweight - easy to handle



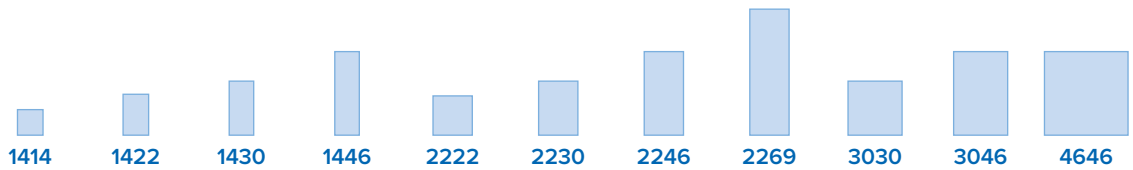
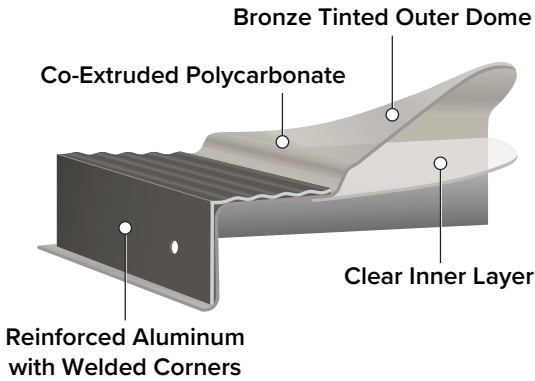
## POLYCARBONATE ADVANTAGES:

- 30-times more impact resistant than acrylic skylights
- 250-times more impact resistant than glass
- Resists temperature extremes from -60°F to +250°F
- Superior weathering performance
- High clarity and light transmission
- Resists effects of solar UV radiation



## WARRANTY:

- 10-Year limited warranty against defects in workmanship and materials



## SKYLIGHT SIZES

SIZE CODE	ROUGH OPENING Width x Length	OUTSIDE CURB <sup>†</sup> Width x Length
1414	14.5" x 14.5"	17.5" x 17.5"
1422	14.5" x 22.5"	17.5" x 25.5"
1430	14.5" x 30.5"	17.5" x 33.5"
1446	14.5" x 46.5"	17.5" x 49.5"
2222	22.5" x 22.5"	25.5" x 25.5"
2230	22.5" x 30.5"	25.5" x 33.5"
2246	22.5" x 46.5"	25.5" x 49.5"
2269	22.5" x 69.5"	25.5" x 72.5"
3030	30.5" x 30.5"	33.5" x 33.5"
3046	30.5" x 46.5"	33.5" x 49.5"
4646	46.5" x 46.5"	49.5" x 49.5"

## HCMA POLYCARBONATE

MODEL NUMBER	WEIGHT
1414 - HCMA	6 lbs
1422 - HCMA	7 lbs
1430 - HCMA	9 lbs
1446 - HCMA	11 lbs
2222 - HCMA	9 lbs
2230 - HCMA	14 lbs
2246 - HCMA	16 lbs
2269 - HCMA	30 lbs
3030 - HCMA	15 lbs
3046 - HCMA	21 lbs
4646 - HCMA	31 lbs

<sup>†</sup>HCMA models are manufactured 1" larger than the outside curb dimension to allow for flashing material.  
Example: 2246-HCMA actual dimensions = 26.5" x 50.5"

[www.kennedyskylights.com](http://www.kennedyskylights.com)

**TO PLACE ORDER, CALL 800.280.2545 or Fax 407.330.5125**





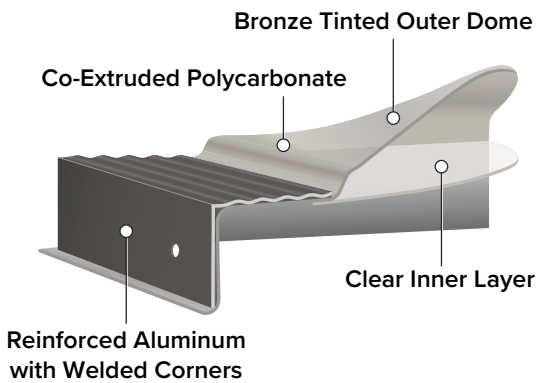
**Kennedy**  
SKYLIGHTS AND  
SOLAR VENTILATION™

# Hurricane Approved Curb Mount Aluminum Polycarbonate Skylight

Miami-Dade County Product Control Approved

**MD-HCMA**

**POLYCARBONATE**



## KEY FEATURES:

- Meets stringent requirements of the Florida Building Code
- Approved for use in high velocity hurricane zones
- Co-extruded polycarbonate dome
- Perimeter framed by hurricane rated, welded aluminum ring
- Golden bronze tinted outer dome and clear inner panel
- Mounts on existing curb, site-built curb, Kennedy AC or ACW Curbs (see curb section) - hardware included
- Pre-drilled screw holes for fast and easy installation

## APPROVED FOR ALL HURRICANE AND WIND ZONES:

- MD-HCMA has undergone intense water pressure testing, large missile impact testing and water infiltration testing to be certified as **Miami-Dade County Product Control Approved** for all hurricane and HVHZ wind zones



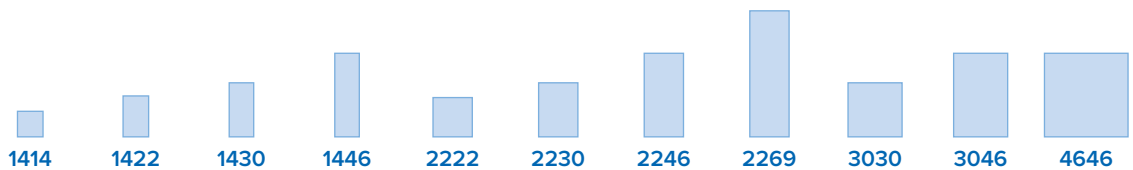
## POLYCARBONATE ADVANTAGES:

- 30-times more impact resistant than acrylic skylights
- 250-times more impact resistant than glass
- Resists temperature extremes from -60°F to +250°F
- Superior weathering performance
- Resists effects of solar UV radiation



## WARRANTY:

- 10-Year limited warranty against defects in workmanship and materials



## SKYLIGHT SIZES

SIZE CODE	ROUGH OPENING Width x Length	OUTSIDE CURB Width x Length
1414	14.5" x 14.5"	17.5" x 17.5"
1422	14.5" x 22.5"	17.5" x 25.5"
1430	14.5" x 30.5"	17.5" x 33.5"
1446	14.5" x 46.5"	17.5" x 49.5"
2222	22.5" x 22.5"	25.5" x 25.5"
2230	22.5" x 30.5"	25.5" x 33.5"
2246	22.5" x 46.5"	25.5" x 49.5"
2269	22.5" x 69.5"	25.5" x 72.5"
3030	30.5" x 30.5"	33.5" x 33.5"
3046	30.5" x 46.5"	33.5" x 49.5"
4646	46.5" x 46.5"	49.5" x 49.5"

## MD-HCMA SKYLIGHT ONLY

MODEL NUMBER	WEIGHT
1414 - MD-HCMA	6 lbs
1422 - MD-HCMA	7 lbs
1430 - MD-HCMA	9 lbs
1446 - MD-HCMA	11 lbs
2222 - MD-HCMA	9 lbs
2230 - MD-HCMA	14 lbs
2246 - MD-HCMA	16 lbs
2269 - MD-HCMA	30 lbs
3030 - MD-HCMA	15 lbs
3046 - MD-HCMA	21 lbs
4646 - MD-HCMA	31 lbs

## MD-HCMA/ACW6 (WITH 6" CURB)

MODEL NUMBER	WEIGHT
1414MD-HCMA/ACW6	6 lbs
1422MD-HCMA/ACW6	7 lbs
1430MD-HCMA/ACW6	9 lbs
1446MD-HCMA/ACW6	11 lbs
2222MD-HCMA/ACW6	9 lbs
2230MD-HCMA/ACW6	14 lbs
2246MD-HCMA/ACW6	16 lbs
N/A	-
3030MD-HCMA/ACW6	15 lbs
3046MD-HCMA/ACW6	21 lbs
4646MD-HCMA/ACW6	31 lbs

*\*MD-HCMA models are manufactured 1" larger than the outside curb dimension to allow for flashing material.  
Example: 2246-MD-HCMA actual dimensions = 26.5" x 50.5"*



**Kennedy**  
SKYLIGHTS AND  
SOLAR VENTILATION™

# Self-Flashing Aluminum Skylight / Styrofoam Liner

for New Construction Applications

**SFA**

**POLYCARBONATE**



### KEY FEATURES:

- Meets stringent requirements of the Florida Building Code
- Co-extruded polycarbonate dome
- Energy-efficient Styrofoam liner
- Golden bronze tinted outer dome and clear inner panel
- Powder coated bronze exterior
- .062" extruded aluminum exterior with welded corners
- Moisture resistant, full-surround foam gasket
- 4" pre-drilled integrated nailing flange
- Energy efficient and blocks harmful UV radiation
- Lightweight - easy to handle

### POLYCARBONATE ADVANTAGES:

- 30-times more impact resistant than acrylic skylights
- 250-times more impact resistant than glass
- Resists temperature extremes from -60°F to +250°F
- Superior weathering performance
- High clarity and light transmission
- Resists effects of solar UV radiation



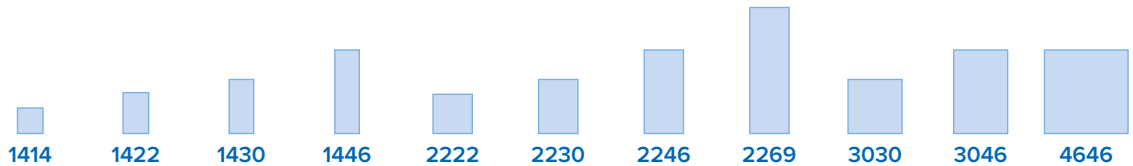
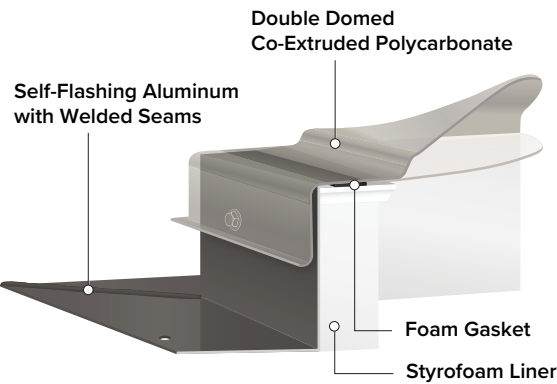
### AVAILABLE OPTIONS:

- Custom exterior colors available



### WARRANTY:

- 10-Year limited warranty against defects in workmanship and materials



### SKYLIGHT SIZES

SIZE CODE	ROUGH OPENING Width x Length	OUTSIDE FLANGE Width x Length
1414	14.5" x 14.5"	25.5" x 25.5"
1422	14.5" x 22.5"	25.5" x 33.5"
1430	14.5" x 30.5"	25.5" x 41.5"
1446	14.5" x 46.5"	25.5" x 57.5"
2222	22.5" x 22.5"	33.5" x 33.5"
2230	22.5" x 30.5"	33.5" x 41.5"
2246	22.5" x 46.5"	33.5" x 57.5"
2269	22.5" x 69.5"	33.5" x 80.5"
3030	30.5" x 30.5"	41.5" x 41.5"
3046	30.5" x 46.5"	41.5" x 57.5"
4646	46.5" x 46.5"	57.5" x 57.5"

### SFA WITH 4" CURB

MODEL NUMBER	WEIGHT
1414 - SFA4	10 lbs
1422 - SFA4	13 lbs
1430 - SFA4	18 lbs
1446 - SFA4	22 lbs
2222 - SFA4	12 lbs
2230 - SFA4	16 lbs
2246 - SFA4	20 lbs
2269 - SFA4	26 lbs
3030 - SFA4	28 lbs
3046 - SFA4	30 lbs
4646 - SFA4	50 lbs

### SFA WITH 6" CURB

MODEL NUMBER	WEIGHT
1414 - SFA6	12 lbs
1422 - SFA6	15 lbs
1430 - SFA6	20 lbs
1446 - SFA6	25 lbs
2222 - SFA6	16 lbs
2230 - SFA6	21 lbs
2246 - SFA6	23 lbs
2269 - SFA6	31 lbs
3030 - SFA6	30 lbs
3046 - SFA6	34 lbs
4646 - SFA6	56 lbs



**Kennedy**  
SKYLIGHTS AND  
SOLAR VENTILATION™

# Self-Flashing Aluminum Skylight / White Wood Interior

for Reroofing Applications

**SFAW**

**POLYCARBONATE**



### KEY FEATURES:

- Meets stringent requirements of the Florida Building Code
- Co-extruded polycarbonate dome
- Pre-finished white poplar wood interior
- Golden bronze tinted outer dome and clear inner panel
- Powder coated bronze exterior
- .062" extruded aluminum exterior with welded corners
- Moisture resistant, full-surround foam gasket
- 4" pre-drilled integrated nailing flange
- Energy efficient and blocks harmful UV radiation
- Lightweight - easy to handle

### POLYCARBONATE ADVANTAGES:

- 30-times more impact resistant than acrylic skylights
- 250-times more impact resistant than glass
- Resists temperature extremes from -60°F to +250°F
- Superior weathering performance
- High clarity and light transmission
- Resists effects of solar UV radiation



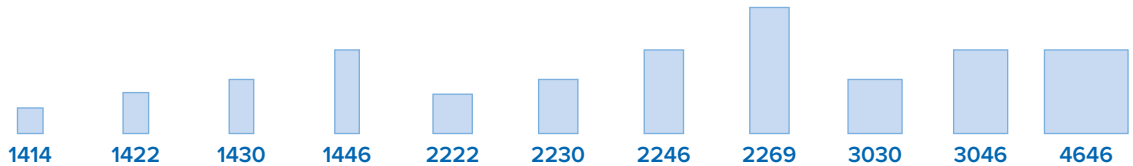
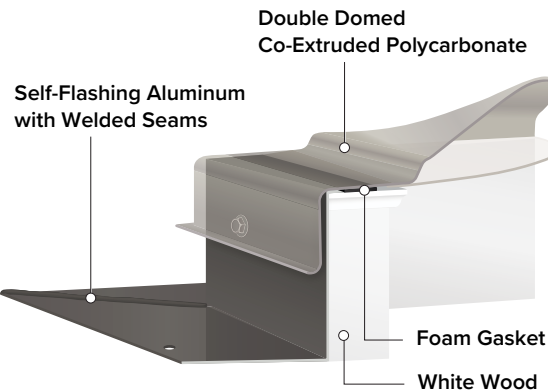
### AVAILABLE OPTIONS:

- Custom exterior colors available



### WARRANTY:

- 10-Year limited warranty against defects in workmanship and materials



### SKYLIGHT SIZES

SIZE CODE	ROUGH OPENING Width x Length	OUTSIDE FLANGE Width x Length
1414	14.5" x 14.5"	25.5" x 25.5"
1422	14.5" x 22.5"	25.5" x 33.5"
1430	14.5" x 30.5"	25.5" x 41.5"
1446	14.5" x 46.5"	25.5" x 57.5"
2222	22.5" x 22.5"	33.5" x 33.5"
2230	22.5" x 30.5"	33.5" x 41.5"
2246	22.5" x 46.5"	33.5" x 57.5"
2269	22.5" x 69.5"	33.5" x 80.5"
3030	30.5" x 30.5"	41.5" x 41.5"
3046	30.5" x 46.5"	41.5" x 57.5"
4646	46.5" x 46.5"	57.5" x 57.5"

### SFAW WITH 4" CURB

MODEL NUMBER	WEIGHT
1414 - SFAW4	15 lbs
1422 - SFAW4	18 lbs
1430 - SFAW4	22 lbs
1446 - SFAW4	29 lbs
2222 - SFAW4	22 lbs
2230 - SFAW4	29 lbs
2246 - SFAW4	32 lbs
2269 - SFAW4	38 lbs
3030 - SFAW4	34 lbs
3046 - SFAW4	40 lbs
4646 - SFAW4	54 lbs

### SFAW WITH 6" CURB

MODEL NUMBER	WEIGHT
1414 - SFAW6	17 lbs
1422 - SFAW6	21 lbs
1430 - SFAW6	26 lbs
1446 - SFAW6	34 lbs
2222 - SFAW6	26 lbs
2230 - SFAW6	33 lbs
2246 - SFAW6	38 lbs
2269 - SFAW6	46 lbs
3030 - SFAW6	40 lbs
3046 - SFAW6	47 lbs
4646 - SFAW6	62 lbs



**Kennedy**  
SKYLIGHTS AND  
SOLAR VENTILATION™

# Hurricane Approved Self-Flashing Aluminum Skylight / White Wood Interior

**HSFAW**

**POLYCARBONATE**



### KEY FEATURES:

- Meets stringent requirements of the Florida Building Code
- Co-extruded polycarbonate dome
- Approved for use in all wind zones
- Perimeter framed by hurricane rated, welded aluminum ring
- Pre-finished white poplar wood interior
- Golden bronze tinted outer dome and clear inner panel
- .062" extruded aluminum exterior with welded corners
- Powder coated bronze exterior
- Moisture resistant, full-surround foam gasket
- 4" pre-drilled integrated nailing flange



### POLYCARBONATE ADVANTAGES:

- 30-times more impact resistant than acrylic skylights
- 250-times more impact resistant than glass
- Resists temperature extremes from -60°F to +250°F
- Superior weathering performance
- High clarity and light transmission
- Resists effects of solar UV radiation

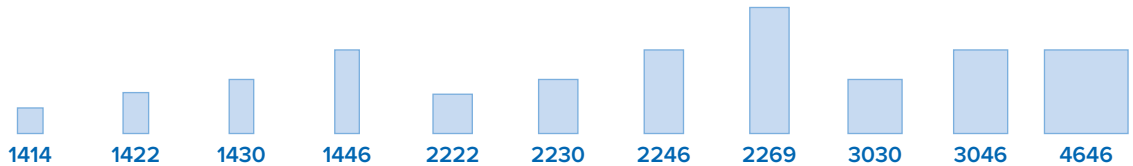
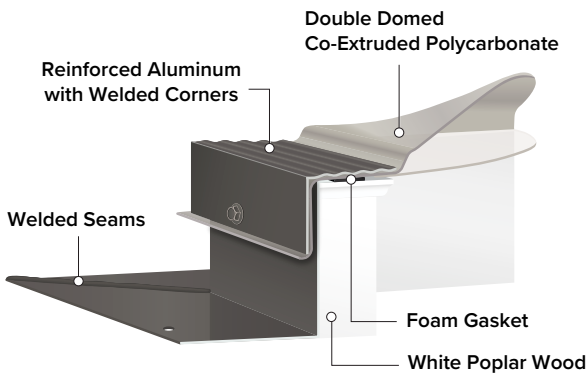


### AVAILABLE OPTIONS:

- Custom exterior colors available

### WARRANTY:

- 10-Year limited warranty against defects in workmanship and materials



### SKYLIGHT SIZES

SIZE CODE	ROUGH OPENING Width x Length	OUTSIDE FLANGE Width x Length
1414	14.5" x 14.5"	25.5" x 25.5"
1422	14.5" x 22.5"	25.5" x 33.5"
1430	14.5" x 30.5"	25.5" x 41.5"
1446	14.5" x 46.5"	25.5" x 57.5"
2222	22.5" x 22.5"	33.5" x 33.5"
2230	22.5" x 30.5"	33.5" x 41.5"
2246	22.5" x 46.5"	33.5" x 57.5"
2269	22.5" x 69.5"	33.5" x 80.5"
3030	30.5" x 30.5"	41.5" x 41.5"
3046	30.5" x 46.5"	41.5" x 57.5"
4646	46.5" x 46.5"	57.5" x 57.5"

### HSFAW WITH 4" CURB

MODEL NUMBER	WEIGHT
1414 - HSFAW4	15 lbs
1422 - HSFAW4	20 lbs
1430 - HSFAW4	24 lbs
1446 - HSFAW4	32 lbs
2222 - HSFAW4	25 lbs
2230 - HSFAW4	32 lbs
2246 - HSFAW4	36 lbs
2269 - HSFAW4	43 lbs
3030 - HSFAW4	37 lbs
3046 - HSFAW4	44 lbs
4646 - HSFAW4	59 lbs

### HSFAW WITH 6" CURB

MODEL NUMBER	WEIGHT
1414 - HSFAW6	17 lbs
1422 - HSFAW6	21 lbs
1430 - HSFAW6	26 lbs
1446 - HSFAW6	35 lbs
2222 - HSFAW6	26 lbs
2230 - HSFAW6	33 lbs
2246 - HSFAW6	39 lbs
2269 - HSFAW6	47 lbs
3030 - HSFAW6	41 lbs
3046 - HSFAW6	48 lbs
4646 - HSFAW6	63 lbs



**Kennedy**  
SKYLIGHTS AND  
SOLAR VENTILATION™

# Non-Insulated Pre-Finished Aluminum Curb 4" or 6" High Curb

**AC**

**POLYCARBONATE**



### KEY FEATURES:

- Pre-finished curb for all roof pitches
- Choice of 4" or 6" high curb
- Powder coated bronze exterior
- .062" extruded aluminum exterior with welded corners
- Pre-drilled screw holes for fast and easy installation
- Individually boxed

### PRE-BUILT CURB ADVANTAGES:

- Saves time and simplifies any skylight installation
- Superior to galvanized metal or site-built curbs
- Works with many brands of plastic and glass skylights designed for curbs
- Non-insulated curb ideal for replacing flashing on existing skylights

### AVAILABLE OPTIONS:

- Custom paint colors and sizes available



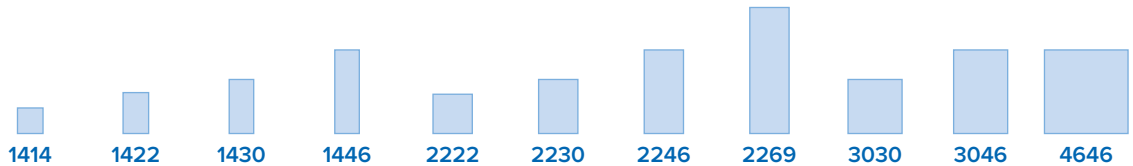
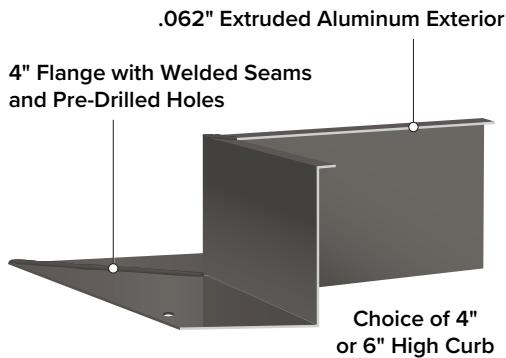
### FITS THESE KENNEDY MODELS:

- CMG, MD-ICMG, CM, CMA, HCMA and MD-HCMA skylights



### WARRANTY:

- 10-Year limited warranty against defects in workmanship and materials



### CURB SIZES

SIZE CODE	ROUGH OPENING Width x Length	OUTSIDE FLANGE Width x Length	OUTSIDE CURB Width x Length
1414	14.5" x 14.5"	25.5" x 25.5"	17.5" x 17.5"
1422	14.5" x 22.5"	25.5" x 33.5"	17.5" x 25.5"
1430	14.5" x 30.5"	25.5" x 41.5"	17.5" x 33.5"
1446	14.5" x 46.5"	25.5" x 57.5"	17.5" x 49.5"
2222	22.5" x 22.5"	33.5" x 33.5"	25.5" x 25.5"
2230	22.5" x 30.5"	33.5" x 41.5"	25.5" x 33.5"
2246	22.5" x 46.5"	33.5" x 57.5"	25.5" x 49.5"
2269	22.5" x 69.5"	33.5" x 80.5"	25.5" x 72.5"
3030	30.5" x 30.5"	41.5" x 41.5"	33.5" x 33.5"
3046	30.5" x 46.5"	41.5" x 57.5"	33.5" x 49.5"
4646	46.5" x 46.5"	57.5" x 57.5"	49.5" x 49.5"

### AC WITH 4" CURB

MODEL NUMBER	WEIGHT
1414 - AC4	7 lbs
1422 - AC4	8 lbs
1430 - AC4	11 lbs
1446 - AC4	13 lbs
2222 - AC4	9 lbs
2230 - AC4	12 lbs
2246 - AC4	14 lbs
2269 - AC4	20 lbs
3030 - AC4	16 lbs
3046 - AC4	12 lbs
4646 - AC4	23 lbs

### AC WITH 6" CURB

MODEL NUMBER	WEIGHT
1414 - AC6	10 lbs
1422 - AC6	12 lbs
1430 - AC6	14 lbs
1446 - AC6	18 lbs
2222 - AC6	15 lbs
2230 - AC6	18 lbs
2246 - AC6	23 lbs
2269 - AC6	30 lbs
3030 - AC6	22 lbs
3046 - AC6	26 lbs
4646 - AC6	34 lbs





**Kennedy**  
SKYLIGHTS AND  
SOLAR VENTILATION™

# White Wood Interior Pre-Finished Aluminum Curb 4" or 6" High Curb

**ACW**

**POLYCARBONATE**



### KEY FEATURES:

- Pre-finished curb for all roof pitches
- Choice of 4" or 6" high curb
- Powder coated bronze exterior
- Pre-finished white wood interior
- .062" extruded aluminum exterior with welded corners
- Pre-drilled screw holes for fast and easy installation
- Individually boxed

### PRE-BUILT CURB ADVANTAGES:

- Saves time and simplifies any skylight installation
- Superior to galvanized metal or site-built curbs
- Works with many brands of plastic and glass skylights designed for curbs

### AVAILABLE OPTIONS:

- Custom paint colors and sizes available
- Natural wood finish

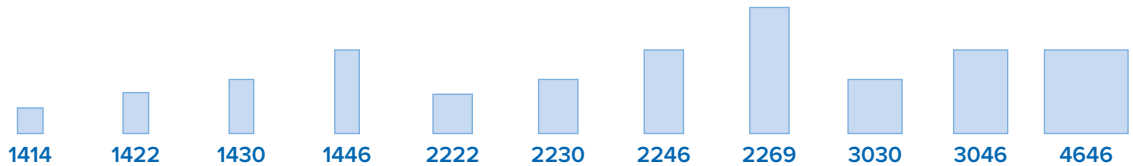
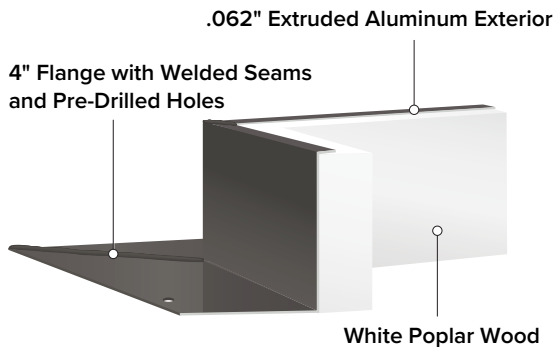


### FITS THESE KENNEDY MODELS:

- CMG, MD-ICMG, CM, CMA, HCMA and MD-HCMA skylights

### WARRANTY:

- 10-Year limited warranty against defects in workmanship and materials



### CURB SIZES

SIZE CODE	ROUGH OPENING Width x Length	OUTSIDE FLANGE Width x Length	OUTSIDE CURB Width x Length
1414	14.5" x 14.5"	25.5" x 25.5"	17.5" x 17.5"
1422	14.5" x 22.5"	25.5" x 33.5"	17.5" x 25.5"
1430	14.5" x 30.5"	25.5" x 41.5"	17.5" x 33.5"
1446	14.5" x 46.5"	25.5" x 57.5"	17.5" x 49.5"
2222	22.5" x 22.5"	33.5" x 33.5"	25.5" x 25.5"
2230	22.5" x 30.5"	33.5" x 41.5"	25.5" x 33.5"
2246	22.5" x 46.5"	33.5" x 57.5"	25.5" x 49.5"
2269	22.5" x 69.5"	33.5" x 80.5"	25.5" x 72.5"
3030	30.5" x 30.5"	41.5" x 41.5"	33.5" x 33.5"
3046	30.5" x 46.5"	41.5" x 57.5"	33.5" x 49.5"
4646	46.5" x 46.5"	57.5" x 57.5"	49.5" x 49.5"

### ACW WITH 4" CURB

MODEL NUMBER	WEIGHT
1414 - ACW4	13 lbs
1422 - ACW4	16 lbs
1430 - ACW4	19 lbs
1446 - ACW4	27 lbs
2222 - ACW4	24 lbs
2230 - ACW4	27 lbs
2246 - ACW4	34 lbs
2269 - ACW4	40 lbs
3030 - ACW4	27 lbs
3046 - ACW4	31 lbs
4646 - ACW4	39 lbs

### ACW WITH 6" CURB

MODEL NUMBER	WEIGHT
1414 - ACW6	15 lbs
1422 - ACW6	18 lbs
1430 - ACW6	21 lbs
1446 - ACW6	32 lbs
2222 - ACW6	27 lbs
2230 - ACW6	31 lbs
2246 - ACW6	39 lbs
2269 - ACW6	46 lbs
3030 - ACW6	32 lbs
3046 - ACW6	38 lbs
4646 - ACW6	45 lbs





**PITCHED ROOF TUBULAR SKYLIGHT KIT**

- Available in 3 sizes: 10", 13", and 18"
- Kit includes all components and hardware for a 4' installation
- Powder-coated black, bronze or mill finish aluminum flashing
- Choice of prismatic or soft white diffuser - curved or flat
- Fits all roof slopes and roof types
- Florida Building Code Approved and Hurricane Tested
- Limited lifetime warranty and made in the USA
- Qualified for 30% Federal Tax Credit *(when paired with a Solar Led Light Kit)*

Black	MODEL		PRODUCT DESCRIPTION
	Bronze	Mill Finish	
10KPPBL	10KPPBR	10KPP	10" Pitched Roof Kit (output up to 150 sf)
13KPPBL	13KPPBR	13KPP	13" Pitched Roof Kit (output up to 300 sf)
18KPPBL	18KPPBR	18KPP	18" Pitched Roof Kit (output up to 500 sf)



**FLAT ROOF TUBULAR SKYLIGHT KIT**

- Available in 4 sizes: 10", 13", 18" and 21"
- Kit includes all components and hardware for a 4' installation
- Powder-coated black, bronze or mill finish aluminum flashing
- Choice of prismatic or soft white diffuser - curved or flat
- Fits all flat roofs and roof types
- Florida Building Code Approved and Hurricane Tested
- Limited lifetime warranty and made in the USA
- Qualified for 30% Federal Tax Credit *(when paired with a Solar Led Light Kit)*

Black	MODEL		PRODUCT DESCRIPTION
	Bronze	Mill Finish	
10KFFBL	10KFFBR	10KFF	10" Flat Roof Kit (output up to 150 sf)
13KFFBL	13KFFBR	13KFF	13" Flat Roof Kit (output up to 300 sf)
18KFFBL	18KFFBR	18KFF	18" Flat Roof Kit (output up to 500 sf)
N/A	N/A	21KFF	21" Flat Roof Kit (output up to 700 sf)



**CURB MOUNT TUBULAR SKYLIGHT KIT**

- Available in 4 sizes: 10", 13", 18" and 21"
- Kit includes all components and hardware for a 4' installation
- Powder-coated black, bronze or mill finish aluminum flashing
- Choice of prismatic or soft white diffuser - curved or flat
- Installs over pre-built curb
- Florida Building Code Approved and Hurricane Tested
- Limited lifetime warranty and made in the USA
- Qualified for 30% Federal Tax Credit *(when paired with a Solar Led Light Kit)*

Black	MODEL		PRODUCT DESCRIPTION
	Bronze	Mill Finish	
10KFCMBL	10KFCMBR	10KFCM	10" Curb Mount Kit (output up to 150 sf)
13KFCMBL	13KFCMBR	13KFCM	13" Curb Mount Kit (output up to 300 sf)
18KFCMBL	18KFCMBR	18KFCM	18" Curb Mount Kit (output up to 500 sf)
N/A	N/A	21KFCM	21" Curb Mount Kit (output up to 700 sf)



**LIGHT PIPE EXTENSION – 1 FOOT SECTION**

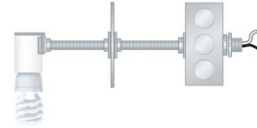
- Available for:  
10", 13", 18", and 21" models



MODEL	PRODUCT
10P1	10" - 1 Foot Section
13P1	13" - 1 Foot Section
18P1	18" - 1 Foot Section
21P1	21" - 1 Foot Section

**ELECTRIC LIGHT KIT - SINGLE OR DUAL SOCKET**

- Available for:  
10", 13", 18", and 21" models
- Choice of single or dual socket
- Use with CFL or LED bulbs



MODEL	PRODUCT
LK	Single Socket Light Kit
LK-2	Dual Socket Light Kit

**LIGHT PIPE EXTENSION – 2 FOOT SECTION**

- Available for:  
10", 13", 18", and 21" models



MODEL	PRODUCT
10P2	10" - 2 Foot Section
13P2	13" - 2 Foot Section
18P2	18" - 2 Foot Section
21P2	21" - 2 Foot Section

**SOLAR LED LIGHT KIT**

- Solar powered
- Illuminates between 10-12 hours
- Add to tubular skylight to  
qualifies for a 30% Tax Credit



MODEL	PRODUCT
SVF	10" Vent Kit

**ANGLE ADAPTER / ELBOW**

- 10" and 13" - adjusts 0° - 45°
- 18" and 21" - adjusts 0° - 30°



MODEL	PRODUCT
10E	10" - Elbow
13E	13" - Elbow
18E	18" - Elbow
21E	21" - Elbow

**TURRET EXTENSION**

- Available for 10" and 13" models
- Used of high profile S-tile roofs
- Powder coated Black



MODEL	PRODUCT
10TE	10" Turret
13TE	13" Turret

**EXHAUST VENT KIT (SVFAN)**

- Available for 10" models
- Perfect for bath & laundry rooms
- Quiet motor exhausts 125 cfm
- Installs alone or with light kits



MODEL	PRODUCT
SVF	10" Vent Kit

**TILE FLASHING SKIRT**

- Available for:  
10", 13" and 18" models
- Used for tile installations



MODEL	PRODUCT
10S	10" - Tile Skirt
13S	13" - Tile Skirt
18S	18" - Tile Skirt

**DIMMER KIT with REMOTE CONTROL**

May also be hardwired using a momentary switch.



MODEL	PRODUCT
10DM	10" - Dimmer Kit
13DM	13" - Dimmer Kit
18DM	18" - Dimmer Kit
21DM	21" - Dimmer Kit

**INDIVIDUAL COMPONENTS ALSO  
AVAILABLE, PLEASE CALL FOR PRICING.**



**ROOF MOUNT SOLAR ATTIC FAN**

- 32, and 48 watt models with adjustable solar panel
- Fully functional right out of box
- Powder-coated black, bronze or gray aluminum flashing
- Fits all roof slopes and roof types
- Hurricane Tested and Approved
- Limited lifetime warranty and made in the USA
- Qualifies for a 30% Federal Tax Credit



MODEL			PRODUCT DESCRIPTION
Black	Bronze	Gray	
SAF32BL	SAF32BR	SAF32GR	32 Watt Roof Mount (output up to 1,560 cfms)
SAF48BL	SAF48BR	SAF48GR	48 Watt Roof Mount (output up to 1,881 cfms)



**CURB MOUNT SOLAR ATTIC FAN**

- 32, and 48 watt models with adjustable solar panel
- Fully functional right out of box
- Powder-coated black, bronze or gray aluminum flashing
- Installs over pre-built curb
- Hurricane Tested and Approved
- Limited lifetime warranty and made in the USA
- Qualifies for a 30% Federal Tax Credit



MODEL			PRODUCT DESCRIPTION
Black	Bronze	Gray	
SAF32BLCM	SAF32BRCM	SAF32GRCM	32 Watt Curb Mount (output up to 1,560 cfms)
SAF48BLCM	SAF48BRCM	SAF48GRCM	48 Watt Curb Mount (output up to 1,881 cfms)



**GABLE MOUNT SOLAR ATTIC FAN**

- Available in 3 sizes: 32, 48, and 65 watt models
- Fan housing installs into existing gable opening
- Solar panel installed remotely on roof
- Fits all roof slopes and roof types
- Limited lifetime warranty and made in the USA
- Qualifies for a 30% Federal Tax Credit



MODEL	PRODUCT DESCRIPTION
SAF32G	32 Watt Gable Mount (output up to 1,560 cfms)
SAF48G	48 Watt Gable Mount (output up to 1,881 cfms)
SAF65G	65 Watt Gable Mount (output up to 2,105 cfms)



### ULTRA LOW PROFILE ROOF MOUNT

- Features a compact, roof-hugging design
- 35 watt fan is fully functional right out of box
- Powder-coated black, bronze or gray aluminum flashing
- Fits all roof slopes and roof types
- Fixed solar panel stands up to hurricane and tornadic winds
- Hurricane Tested and Approved
- Limited lifetime warranty and made in the USA
- Qualifies for a 30% Federal Tax Credit



MODEL			PRODUCT DESCRIPTION
Black	Bronze	Gray	
SAF35BLLP	SAF35BRLP	SAF35GRLP	35W Low-Pro Roof (output up to 1,597 cfms)



### ULTRA LOW PROFILE CURB MOUNT

- Features a compact, roof-hugging design
- 35 watt fan is fully functional right out of box
- Powder-coated black, bronze or gray aluminum flashing
- Installs over pre-built curb
- Fixed solar panel stands up to hurricane and tornadic winds
- Hurricane Tested and Approved
- Limited lifetime warranty and made in the USA
- Qualifies for a 30% Federal Tax Credit



MODEL			PRODUCT DESCRIPTION
Black	Bronze	Gray	
SAF35BLLPCM	SAF35BRLPCM	SAF35GRLPCM	35W Low-Pro Curb (output up to 1,597 cfms)



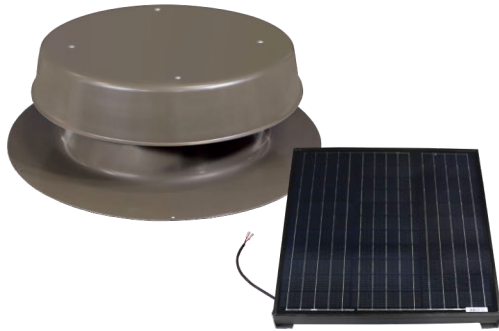
### TILE PROFILE ROOF MOUNT

- Features a compact, roof-hugging design
- 35 watt fan is fully functional right out of box
- Powder-coated black, bronze or gray aluminum flashing
- Housing sits higher to accommodate thicker tile or slate roofing
- Perfect solution for the popular S-style tile roofs
- Fixed solar panel stands up to hurricane and tornadic winds
- Hurricane Tested and Approved
- Limited lifetime warranty and made in the USA
- Qualifies for a 30% Federal Tax Credit



MODEL			PRODUCT DESCRIPTION
Black	Bronze	Gray	
SAF35BLTP	SAF35BRTP	SAF35GRTP	35 Watt Tile Profile (output up to 1,597 cfms)

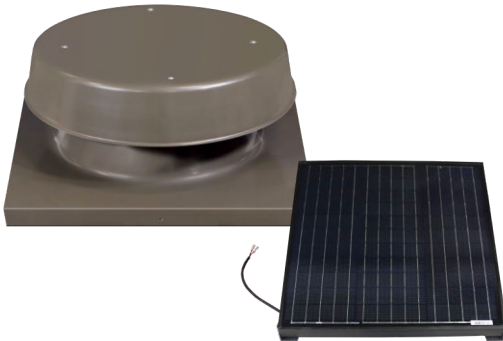




**ROOF MOUNT with REMOTE PANEL SOLAR ATTIC FAN**

- Used where there is limited sunshine available to installed fan
- Panel is installed away from fan assembly in a sunny area capturing the maximum amount of sunlight for optimal fan performance

MODEL			PRODUCT DESCRIPTION
Black	Bronze	Gray	
SAF32BL-Remote	SAF32BR-Remote	SAF32GR-Remote	32W Remote/Roof Mount (output up to 1,560 cfms)
SAF48BL-Remote	SAF48BR-Remote	SAF48GR-Remote	48W Remote/Roof Mount (output up to 1,881 cfms)
SAF65BL-Remote	SAF65BR-Remote	SAF65GR-Remote	65W Remote/Roof Mount (output up to 2,105 cfms)



**CURB MOUNT with REMOTE PANEL SOLAR ATTIC FAN**

- Used where there is limited sunshine available to installed fan
- Panel is installed away from fan assembly in a sunny area capturing the maximum amount of sunlight for optimal fan performance

MODEL			PRODUCT DESCRIPTION
Black	Bronze	Gray	
SAF32CMBL-Remote	SAF32CMBR-Remote	SAF32CMGR-Remote	32W Remote/Curb Mount (output up to 1,560 cfms)
SAF48CMBL-Remote	SAF48CMBR-Remote	SAF48CMGR-Remote	48W Remote/Curb Mount (output up to 1,881 cfms)
SAF65CMBL-Remote	SAF65CMBR-Remote	SAF65CMGR-Remote	65W Remote/Curb Mount (output up to 2,105 cfms)

**THERMAL SNAP SWITCH**



- Turns fan on when attic temperature reaches 80°F
- Turns off at 70°F

MODEL	PRODUCT
SAFTS	Thermal Switch

**FIRE SAFETY SWITCH**



- Helps prevent spread of attic fires by shutting down fan
- Installed alone or with thermal switch

MODEL	PRODUCT
FSCS	Fire Safety Switch

**GARAGE VENT KIT**



- Converts roof or curb mount fan into garage venting system
- Radiation Damper Kit available (required in some loactions)

MODEL	PRODUCT
Garage Vent	Garage Vent Kit
Garage Vent W/D	Garage Vent Kit w/Damper

**TILE FLASHING SKIRT**



- Used for tile installations
- Installs over flashing for weather-tight installation

MODEL	PRODUCT
13S	Flashing Skirt

**TURRET EXTENSION**



- Used of high profile S-tile roofs
- Includes protective animal screen

MODEL	PRODUCT
SAF-EXT	Turret Extension

**INDIVIDUAL COMPONENTS ALSO  
AVAILABLE, PLEASE CALL FOR PRICING.**