



**IMPORTANT:** Please take the time to read through the ENTIRE instructions prior to starting any work. Light Pipe material is very sharp when cut. Please use extreme caution when handling. **AVOID LEAVING THE PIPE EXPOSED TO THE SUN WITHOUT THE PROTECTIVE COATING OR DIFFUSERS IN PLACE PRIOR TO INSTALLATION.**

## TOOLS/MATERIALS NEEDED

- Caulk
- Caulking Gun
- Driver & Bits
- Drywall Saw
- Flashlight
- Gloves
- Hammer
- Marking Pencil
- Measuring Tape
- Philips Screwdriver
- Reciprocating Saw
- Safety Goggles
- Stud Finder
- Tin Snips
- Utility Knife
- Wire

### For Foam Roof Installations only:

- Elastomeric Sealant and Mesh

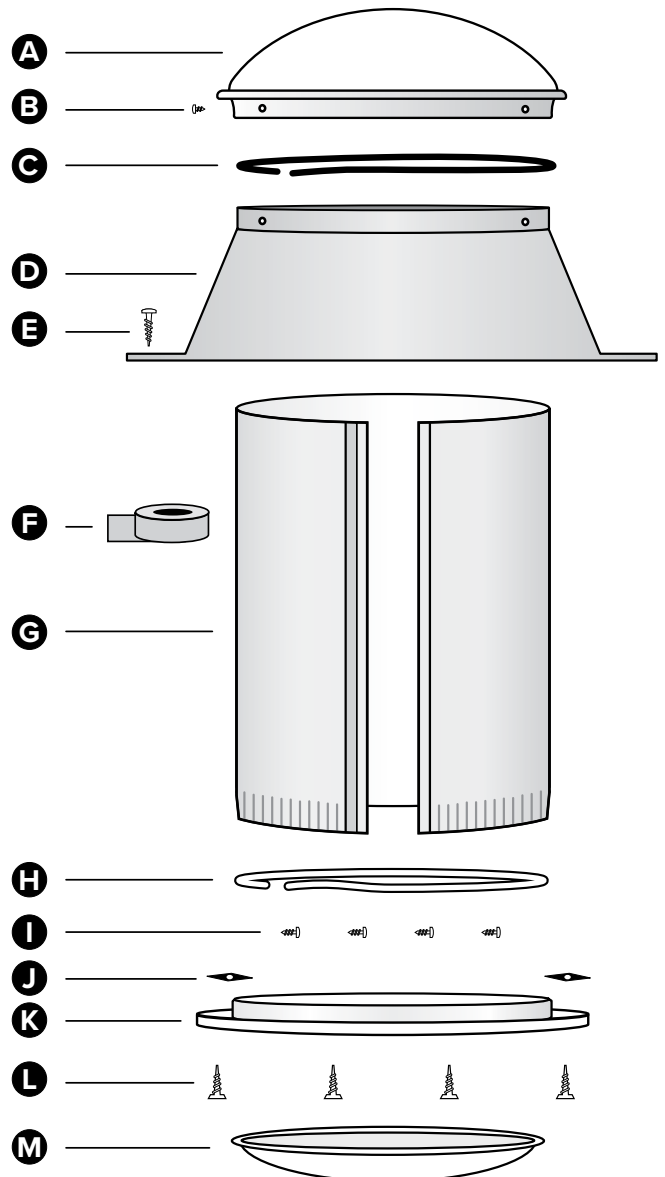
**FOAM ROOF INSTALLATION NOTE:** For existing foam roof installations, elastomeric sealant and mesh is required at Step 8. Elastomeric sealant and mesh is NOT required if skylight installation is completed PRIOR to foaming the roof.

## TUBULAR SKYLIGHT KIT PARTS:

- A.** Clear UV Protected, High Impact Acrylic Dome
- B.** (4) Phillips Head Stainless Steel ¼" Self-Tapping Screws
- C.** Black Nylon Horse Hair Gasket (self-adhesive)
- D.** Commercial Pure Grade Aluminum Flat Roof Flashing
- E.** (8) 1 ½" Philips Head Stainless Steel Screws
- F.** Heavy Duty Foil Tape
- G.** (2) 24" Light Pipe Sections
- H.** White Nylon Horse Hair Gasket (self-adhesive)
- I.** (8) Phillips Head Stainless Steel ½" Self-Tapping Screws
- J.** (3) Black Speed Nuts
- K.** White Powder Coated Aluminum Trim Ring
- L.** (3) 1 ½" Flat Head Philips Screws
- M.** High Impact Acrylic Diffuser

## PRECAUTIONS:

1. Ensure normal safety precautions are taken when using tools, ladder and walking on roofs.
2. Do not cut any structural members in the house.
3. Install only in dry weather.

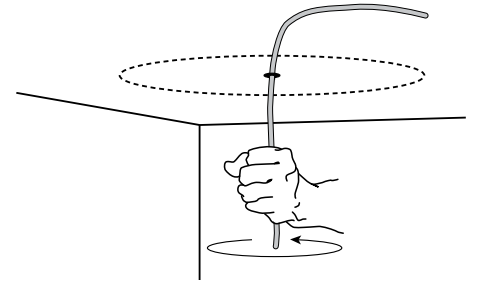


## IMPORTANT INSTALLATION POINTERS – PLEASE READ BEFORE BEGINNING:

1. It is critical to plan the placement of the tubular skylight so that hole cut on roof and ceiling trim ring are aligned. Ensure that hole on roof is between framing trusses. **DO NOT CUT ANY STRUCTURAL FRAMING.**
2. When determining the location of the unit, southern exposure is recommended. Also consider potential problems such as objects shading the unit during certain times of the day.
3. Although adjustable elbows are available, straight light pipe runs result in higher light output and easier installation.
4. Prior to starting the job, **CUT PACKING STRAPS ON THE LIGHT PIPE AND UNCOIL THE TUBES.**
5. It's highly critical to check for obstructions above the ceiling which may hinder installation. If possible, visually check to ensure that there are no electrical wires or other obstructions where you plan to install the skylight. If you cannot check visually, use a piece of wire as outlined in Step 1.

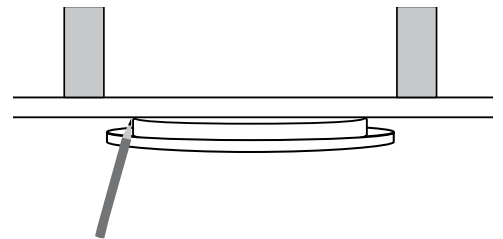
### STEP 1

Find the desired location for the ceiling trim ring and ensure that there are no obstructions in the attic space between the roof and ceiling. With a stud finder locate the ceiling joists and center the ceiling ring between joists as close to the desired installation area as possible. If you cannot check visually for obstructions, mark the center of the ceiling ring, drill a hole and insert piece of wire bent at a 90 degree angle. Rotate the wire around 360 degrees. While rotating, feel for resistance that could indicate wire runs or other obstructions.



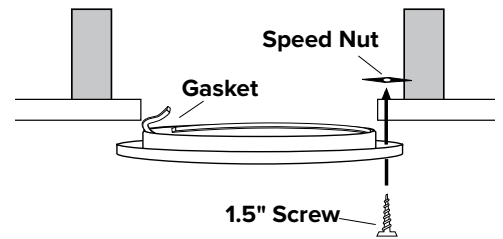
### STEP 2

If there are no obstructions, scribe a mark around the ceiling trim ring (K), see diagram. Using a drywall saw, cut out the scribed mark in the ceiling.



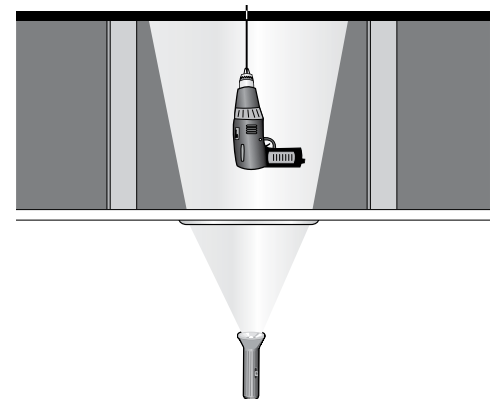
### STEP 3

Peel the protective covering off the white horse hair gasket (H) and apply gasket to the INNER lip of the ceiling trim ring (K). This gasket ensures a dust free fit between the light pipe and the ceiling ring. Secure the ceiling ring to the ceiling by inserting a 1 1/2" flathead Philips screw (L) into one of the three pre-drilled holes and screwing it up through the drywall into the speed nut (J) provided. Repeat this process for all three screws.



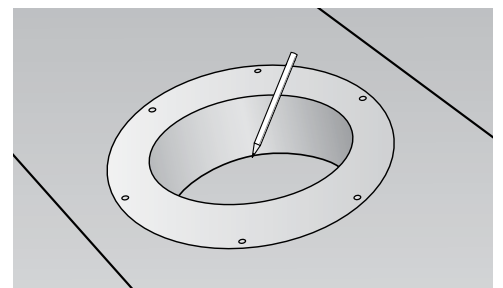
### STEP 4

For the roof cutout, place a step ladder under the ceiling ring hole and place a flashlight on top of the ladder. The resulting flashlight beam will mark the location for the centering hole of the flashing unit on the roof. With a drill bit and appropriate extension rods, drill a pilot hole in the marked location on the bottom side of the roof. If there is access to the attic space, a plumb bob may also be used.



### STEP 5

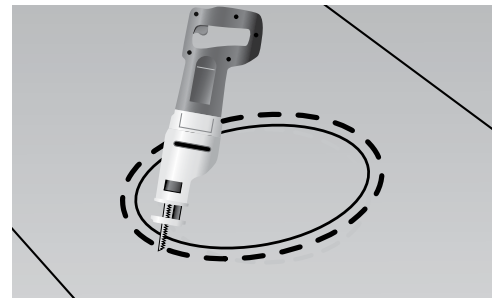
On the roof, locate the centering hole drilled in Step 4. Outline the diameter of the hole that the pipe will pass through by turning the flashing (D) upside down and marking the INSIDE lip of the flashing unit as shown.



### STEP 6

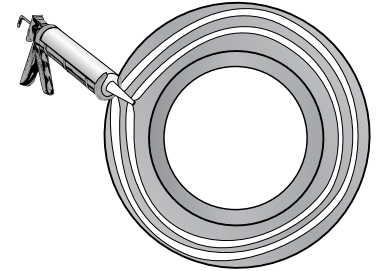
With a reciprocating saw, cut the diameter of the hole **1" LARGER** than the area marked in Step 5.

**IMPORTANT:** The light pipe must pass between the roof rafters. **DO NOT CUT THROUGH ANY FRAMING MEMBER.**



### STEP 7

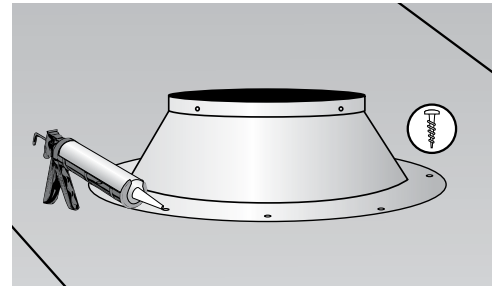
Caulk the underside of the flashing (**D**) with caulk. Two concentric rings of caulking material is sufficient. Turn the flashing right-side-up and center over hole cut in Step 6. Press firmly down on flashing until caulk slightly squeezes out at the edges of the flashing.



### STEP 8

Secure the flashing to the roof with the Phillips head 1 1/2" screws (**E**) provided. Evenly space the screws around the lip of the flashing. Place first screw at the 12:00 o'clock position, then next diagonally over from it at 6:00. The third screw should go at 9:00 and the next screw diagonally across at 3:00, etc. Caulk over the screw heads, since it will be exposed to the weather.

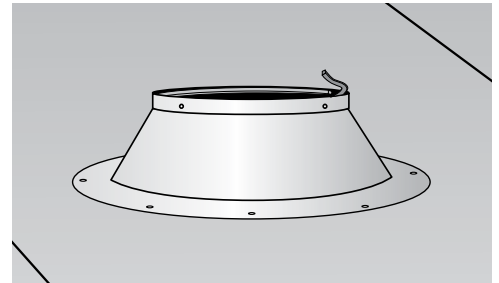
**NOTE:** For installations on **EXISTING** foam roofs, use elastomeric sealant and mesh to completely seal the flashing.



### STEP 9

Peel the protective backing off the black horse hair gasket (**C**) and apply the gasket on the **INNER** lip of the flashing collar.

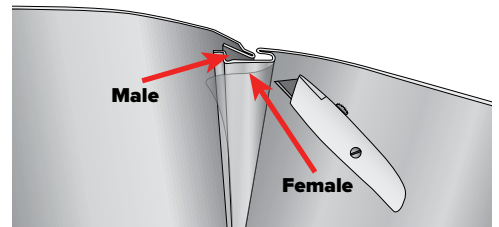
**NOTE:** If also installing a security bar (sold separately), place the black horse hair gasket **3/4" BELOW THE EDGE** of the flashing rim in order to leave room to attach the security bar.



### STEP 10

Using a utility knife, score the protective film by cutting along the outside of the channel of the light pipe. Then peel off all of the protective plastic film from all areas of the light pipe (**G**). To assemble the light tube, insert the light pipe into the channel so that it forms a round tube. After insertion, pull both sides back to ensure the pipe is locked into place.

**IMPORTANT:** All of the plastic must be removed to avoid having the color of the plastic reflecting through the diffuser.



### STEP 11

Join the two light pipe sections (**G**) together by placing the crimped end of one of the sections into the non-crimped end on the other section. Secure with (2) 1/2" sheet metal screws (**I**) and seal joints with heavy-duty foil tape (**F**).

